



eZ80F91 Development Kit

User Manual

PRELIMINARY

UM014205-0203

eZ80F91 Development Kit User Manual



ii

This publication is subject to replacement by a later edition. To determine whether a later edition exists, or to request copies of publications, contact:

ZiLOG Worldwide Headquarters

532 Race Street
San Jose, CA 95126
Telephone: 408.558.8500
Fax: 408.558.8300
www.zilog.com

Document Disclaimer

ZiLOG is a registered trademark of ZiLOG Inc. in the United States and in other countries. All other products and/or service names mentioned herein may be trademarks of the companies with which they are associated.

©2003 by ZiLOG, Inc. All rights reserved. Information in this publication concerning the devices, applications, or technology described is intended to suggest possible uses and may be superseded. ZiLOG, INC. DOES NOT ASSUME LIABILITY FOR OR PROVIDE A REPRESENTATION OF ACCURACY OF THE INFORMATION, DEVICES, OR TECHNOLOGY DESCRIBED IN THIS DOCUMENT. ZiLOG ALSO DOES NOT ASSUME LIABILITY FOR INTELLECTUAL PROPERTY INFRINGEMENT RELATED IN ANY MANNER TO USE OF INFORMATION, DEVICES, OR TECHNOLOGY DESCRIBED HEREIN OR OTHERWISE. Except with the express written approval of ZiLOG, use of information, devices, or technology as critical components of life support systems is not authorized. No licenses are conveyed, implicitly or otherwise, by this document under any intellectual property rights.

Safeguards

The following precautions must be observed when working with the devices described in this document.



Caution: Always use a grounding strap to prevent damage resulting from electrostatic discharge (ESD).

**eZ80F91 Development Kit
User Manual**

iv





Table of Contents

Safeguards	iii
List of Figures	vii
List of Tables	ix
Introduction	1
Kit Features	1
Hardware Specifications	2
eZ80F91 Development Kit Overview	3
eZ80 [®] Development Platform	7
Functional Description	7
Physical Dimensions	9
Operational Description	10
eZ80F91 Module Interface	10
Application Module Interface	21
I/O Functionality	23
Embedded Modem Socket Interface	26
eZ80 [®] Development Platform Memory	29
LEDs	32
Push Buttons	34
Jumpers	34
Connectors	40
Console	40
Modem	40
I ² C Devices	40
eZ80F91 Module	42
Functional Description	42
Fast Buffer	42
Physical Dimensions	45
Operational Description	48



eZ80F91 Module Memory	48
Reset Generator	49
IrDA Transceiver	49
Flash Loader Utility	51
Mounting the Module	51
Changing the Power Supply Plug	52
ZPAK II	54
ZDI Target Interface Module	54
JTAG	54
Application Modules	54
ZDS II	55
Troubleshooting	57
Overview	57
Cannot Download Code	57
IrDA Port Not Working	57
Contacting ZiLOG Customer Support	57
Schematic Diagrams	59
eZ80 [®] Development Platform	59
eZ80F92 Module	64
Appendix A	67
General Array Logic Equations	67
U10 Address Decoder	67
U15 Address Decoder	70
Customer Feedback Form	75



List of Figures

Figure 1.	eZ80 [®] Development Platform Block Diagram with eZ80F91 Module	4
Figure 2.	The eZ80 [®] Development Platform	5
Figure 3.	The eZ80F91 Module	6
Figure 4.	Basic eZ80 [®] Development Platform Block Diagram	8
Figure 5.	Physical Dimensions of the eZ80 [®] Development Platform	9
Figure 6.	eZ80 [®] Development Platform Peripheral Bus Connector Pin Configuration—JP1	12
Figure 7.	eZ80 [®] Development Platform I/O Connector Pin Configuration—JP2	17
Figure 8.	Trigger Pins J21 and J22	26
Figure 9.	Embedded Modem Socket Interface—J1, J5, and J9	27
Figure 10.	Memory Map of the eZ80 [®] Development Platform and eZ80F91 Module	31
Figure 11.	Possible Bus Contention without Fast Buffer	43
Figure 12.	Physical Dimensions of the eZ80F91 Module	45
Figure 13.	eZ80F91 Module—Top Layer	46
Figure 14.	eZ80F91 Module—Bottom Layer	47
Figure 15.	IrDA Hardware Connections	50
Figure 16.	9VDC Universal Power Supply Components	52
Figure 17.	Inserting a New Plug Configuration	53
Figure 18.	eZ80 [®] Development Platform Schematic Diagram, #1 of 5	59
Figure 19.	eZ80 [®] Development Platform Schematic Diagram, #2 of 5	60
Figure 20.	eZ80 [®] Development Platform Schematic Diagram, #3 of 5	61



Figure 21.	eZ80 [®] Development Platform Schematic Diagram, #4 of 5	62
Figure 22.	eZ80 [®] Development Platform Schematic Diagram, #5 of 5—RS-485 Cable	63
Figure 23.	eZ80F92 Module Schematic Diagram, #1 of 3—Connectors and Miscellaneous	64
Figure 24.	eZ80F92 Module Schematic Diagram, #2 of 3—CPU and PHY	65
Figure 25.	eZ80F92 Module Schematic Diagram, #3 of 3—Module Memory	66



List of Tables

Table 1.	eZ80 [®] Development Platform Hardware Specifications . . .	2
Table 2.	eZ80 [®] Development Platform Peripheral Bus Connector Identification—JP11,3	13
Table 3.	eZ80 [®] Development Platform I/O Connector Identification—JP21	18
Table 4.	GPIO Connector J6	21
Table 5.	CPU Bus Connector J8	23
Table 6.	LED and Port Emulation Addresses	24
Table 7.	LED Anode/GPIO Output Control Register	24
Table 8.	GPIO Data Register	25
Table 9.	Connector J5	27
Table 10.	Connector J9	27
Table 11.	Connector J1	28
Table 12.	Bit Access to the LED Cathode, Modem, and Triggers . . .	33
Table 13.	J2—DIS_IrDA	35
Table 14.	J3—DIS_EM	35
Table 15.	J7—FlashWE (Off-Chip)	36
Table 16.	J11—DIS_Flash (Off-Chip)	36
Table 17.	J12—5VDC/3.3VDC for an Embedded Modem	37
Table 18.	J14—RI	37
Table 19.	J15—RS485_1_EN	38
Table 20.	J16—RS485_2_EN	38
Table 21.	J17—RT_1	39
Table 22.	J18—RT_2	39
Table 23.	I ² C Addresses	41

**eZ80F91 Development Kit
User Manual**



x

Introduction

The eZ80F91 Development Kit provides a general-purpose platform for evaluating the capabilities and operation of ZiLOG's eZ80F91 microcontroller. The eZ80F91 is a member of ZiLOG's eZ80Acclaim! product family, which offers on-chip Flash capability. The eZ80F91 Development Kit features two primary boards: the eZ80[®] Development Platform and the eZ80F91 Module. This arrangement provides a full development platform when using both boards. It can also provide a smaller-sized reference platform with the eZ80F91 Module as a stand-alone development tool.

Kit Features

The key features of the eZ80F91 Development Kit are:

- eZ80[®] Development Platform:
 - Up to 2MB fast SRAM (12ns access time; 1MB factory-installed, with 512KB on module, 512KB on platform)
 - Embedded modem socket with a U.S. telephone line interface
 - I²C EEPROM
 - I²C configuration register
 - GPIO, logic circuit, and memory headers
 - Supported by ZiLOG Developer Studio II and the eZ80[®] C-Compiler
 - LEDs, including a 7x5 LED matrix
 - Platform configuration jumpers
 - Two RS232 connectors—console, modem
 - RS485 connector with cable assembly
 - ZiLOG Debug Interface (ZDI)



- JTAG Debug Interface
- 9VDC power connector
- Telephone jack
- eZ80F91 Module:
 - eZ80F91 device operating at 50MHz, with 256KB of internal Flash memory and 8KB of internal SRAM memory
 - 512KB of off-chip SRAM memory
 - 1MB of off-chip Flash memory (footprint)
 - On-chip Ethernet Media Access Controller (EMAC)
 - Ethernet port
 - IrDA port
 - Real-Time Clock with battery backup
 - Two headers compatible with the eZ80[®] Development Platform
- ZPAKII Debug Tool
- eZ80[®] Software and Documentation CD-ROM

Hardware Specifications

Table 1 lists the specifications of the eZ80[®] Development Platform.

**Table 1. eZ80[®] Development Platform
Hardware Specifications**

Operating Temperature:	20°C ±5°C
Operating Voltage:	9 VDC

eZ80F91 Development Kit Overview

The purpose of the eZ80F91 Development Kit is to provide the developer with a set of tools for evaluating the features of the eZ80F91 microcontroller and to be able to develop a new application before building application hardware.

The eZ80[®] Development Platform is designed to accept a number of application-specific modules and eZ80[®]-based add-on modules, including the eZ80F91 Module featured in this kit.

The eZ80[®] Development Platform, together with its plugged-in eZ80F91 Module, can operate in stand-alone mode with Flash memory, or interface via the ZPAKII Debug Tool to a host PC running ZiLOG Developer Studio II Integrated Development Environment (ZDS IDE) software.

The address bus, data bus, and all eZ80F91 Module control signals are buffered on the eZ80[®] Development Platform to provide sufficient drive capability.

A block diagram of the eZ80[®] Development Platform and the eZ80F91 Module is shown in Figure 1.

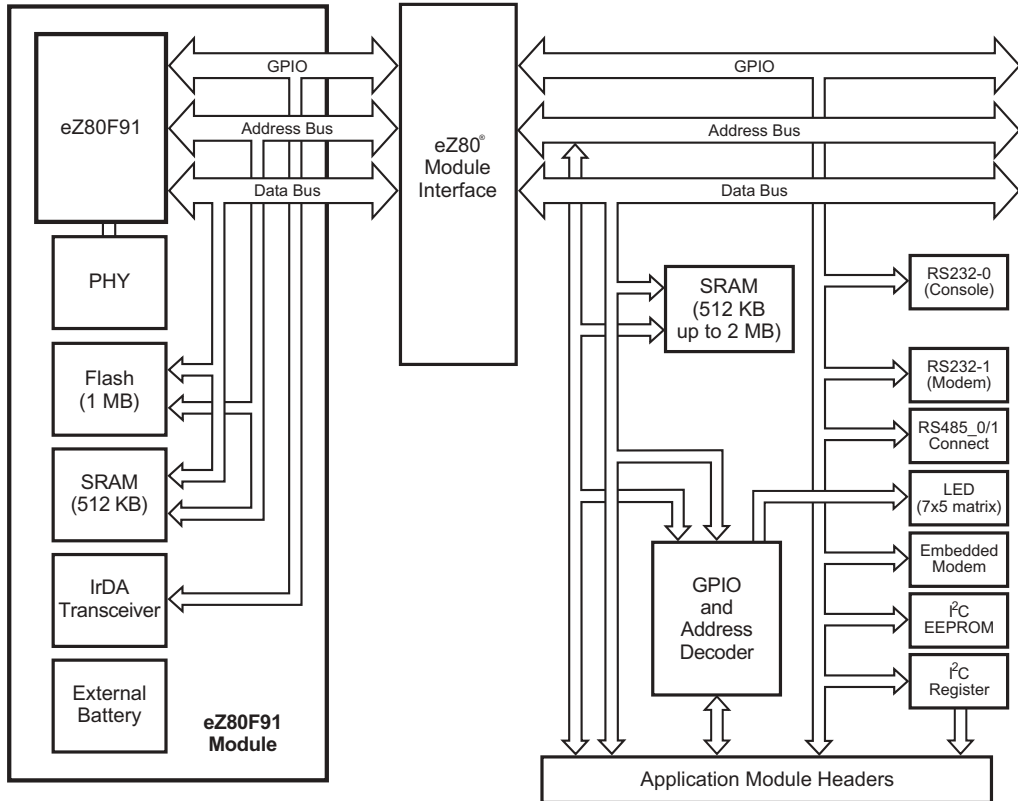
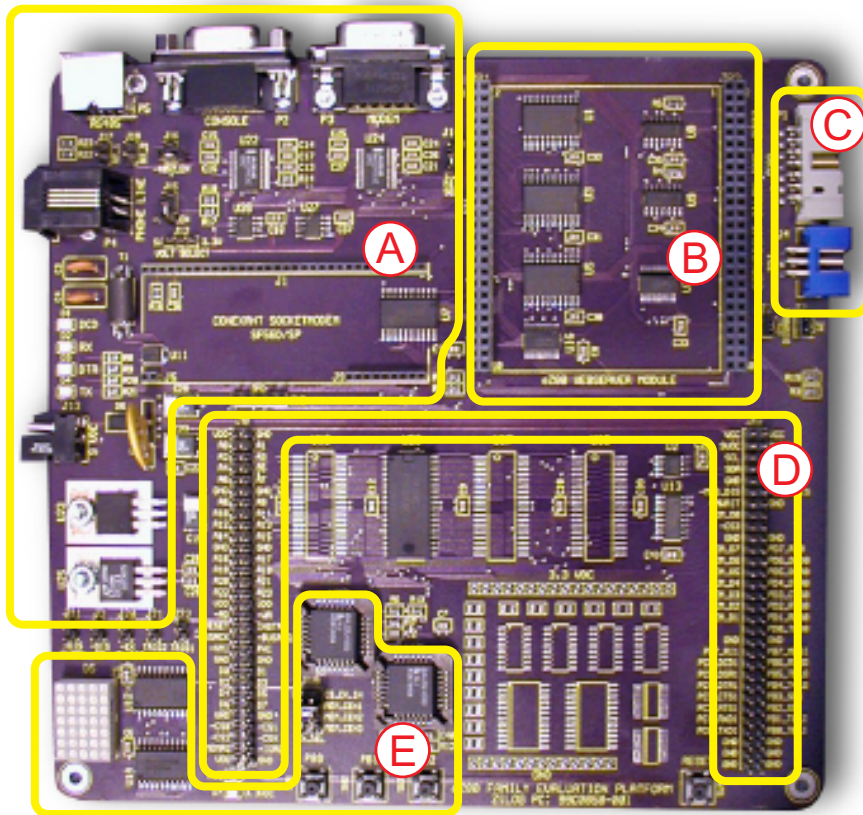


Figure 1. eZ80[®] Development Platform Block Diagram with eZ80F91 Module

Figure 2 is a photographic representation of the eZ80[®] Development Platform segmented into its key blocks, as shown in the legend for the figure.



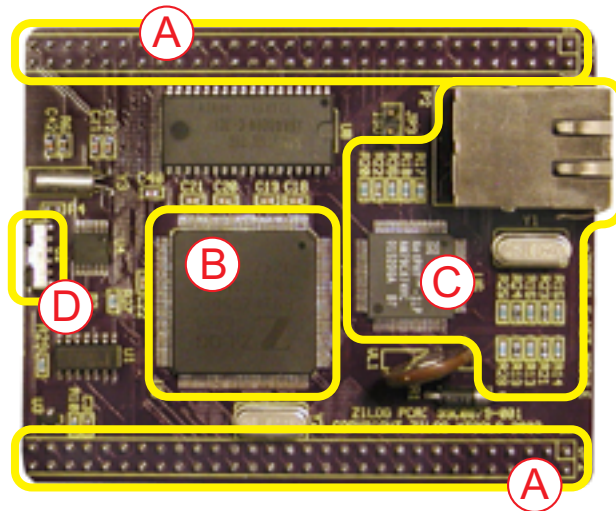
Note: Key to blocks A–E.

- A. Power and serial communications.
- B. eZ80F91 Module interface.
- C. JTAG and ZDI debug interfaces.

- D. Application module interfaces.
- E. GPIO and LED with Address Decoder.

Figure 2. The eZ80[®] Development Platform

Figure 3 is a photographic representation of the eZ80F91 Module segmented into its key blocks, as shown in the legend for the figure.



- Note: Key to blocks A–C.
- A. eZ80F91 Module interfaces.
 - B. eZ80F91 CPU.
 - C. 10/100BaseT Ethernet Interface
 - D. IrDA transceiver.

Figure 3. The eZ80F91 Module

The structures of the eZ80[®] Development Platform and the eZ80F91 Module are illustrated in the [Schematic Diagrams](#) starting on page 59.

eZ80[®] Development Platform

This section describes the eZ80[®] Development Platform hardware, its key components and its interfaces, including programming information such as memory maps and register definitions.

Functional Description

The eZ80[®] Development Platform consists of seven major hardware blocks. These blocks, listed below, are diagrammed in Figure 4.

- eZ80F91 Module interface (2 female headers)
- Power supply for the eZ80[®] Development Platform, the eZ80F91 Module, and application modules
- Application Module interface (2 male headers)
- GPIO and LED matrix
- Two RS232 serial communications ports
- Two RS485 ports
- Embedded modem interface
- I²C devices

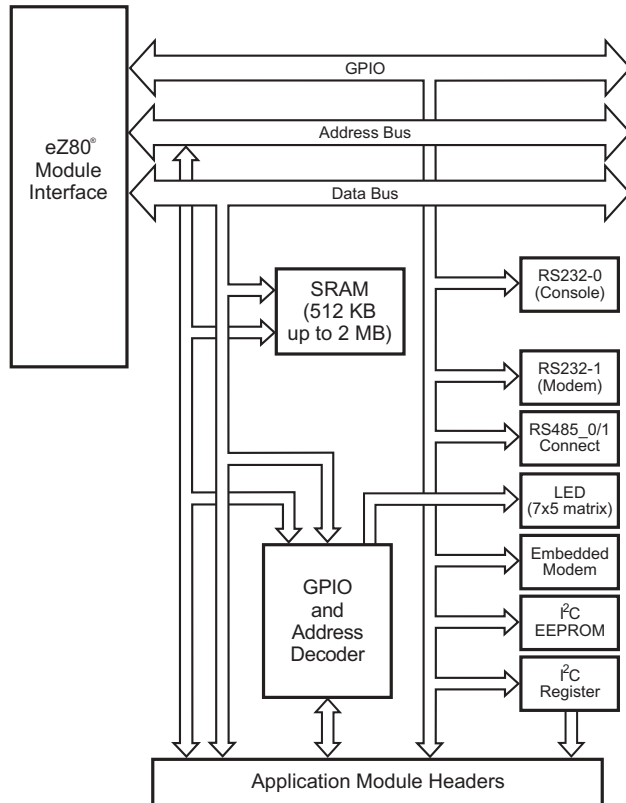


Figure 4. Basic eZ80[®] Development Platform Block Diagram

Physical Dimensions

The dimensions of the eZ80[®] Development Platform PCB is 177.8 mm x 182.9 mm. The overall height is 38.1 mm. See Figure 5.

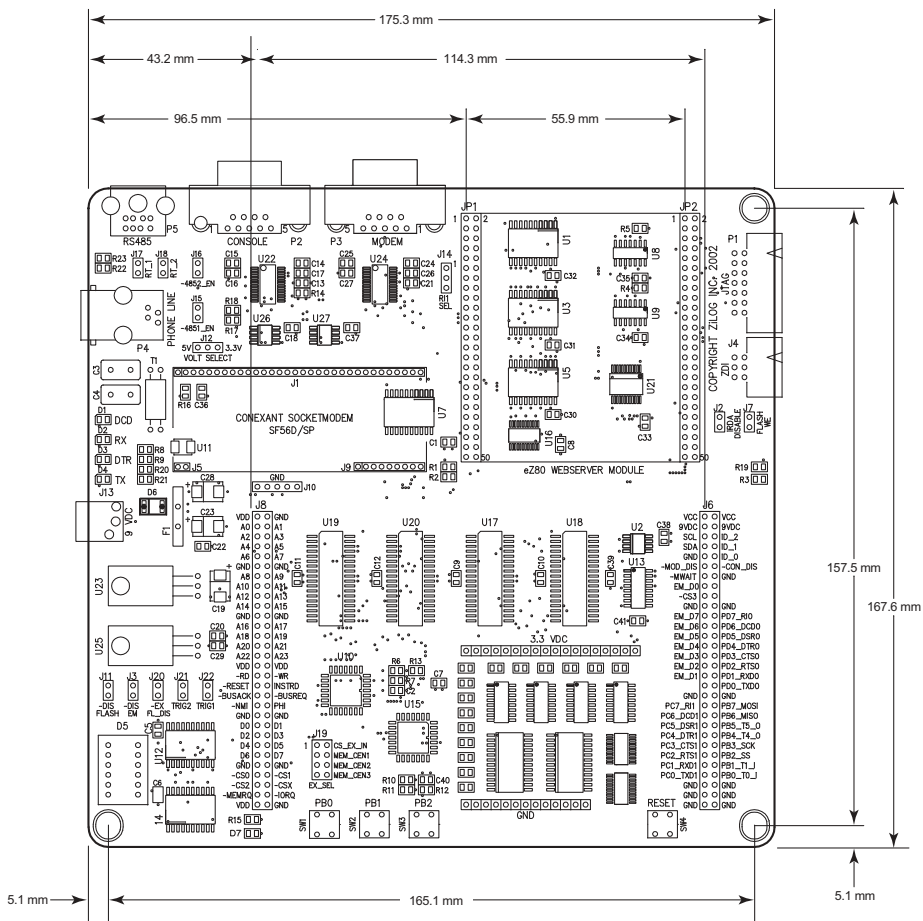


Figure 5. Physical Dimensions of the eZ80[®] Development Platform



Operational Description

The eZ80[®] Development Platform can accept any eZ80[®]-core-based modules, provided that the module interfaces correctly to the eZ80[®] Development Platform. The purpose of the eZ80[®] Development Platform is to provide the application developer with a tool to evaluate the features of the eZ80F91, and to develop an application without building additional hardware.

eZ80F91 Module Interface

The eZ80[®] Development Platform provides an easy interface for connecting each of the development modules in the eZ80[®] family, including the eZ80F91 Module. The eZ80F91 Module interface consists of two 50-pin receptacles, JP1 and JP2, as described in the pages that follow.

Almost all of these receptacles' signals are connected directly to the CPU. Five input signals, in particular, offer options to the application developer by disabling certain functions of the eZ80F91 Module.

These five input signals¹ are:

- Disable Flash ($\overline{\text{DIS_Flash}}$)
- Flash Write Enable ($\overline{\text{FlashWE}}$)
- Disable IrDA ($\overline{\text{DIS_IrDA}}$)
- $\overline{\text{F91_WE}}$
- RTC_VDD

A description of these five signals follows.

Disable Flash. When active Low, the $\overline{\text{DIS_Flash}}$ input signal disables the Flash chip on the eZ80F91 Module.

1. These input signals are only used if external Flash memory is present on the eZ80F91 Module. As shipped from the factory, external Flash is not installed.



Flash Write Enable. When active Low, the $\overline{\text{FlashWE}}$ input signal enables write operations on the Flash boot block of the eZ80F91 Module.

Disable IrDA. When the $\overline{\text{DIS_IrDA}}$ input signal is pulled Low, the IrDA transceiver, located on the eZ80F91 Module, is disabled. As a result, UART0 can be used with the RS232 or the RS485 interfaces on the eZ80[®] Development Platform.

F91_WE. When the $\overline{\text{F91_WE}}$ signal is active Low, internal Flash on the eZ80F91 Module is enabled for writing. This signal is inverted from the $\overline{\text{WP}}$ signal of on the eZ80F91 Module.

RTC_VDD. RTC_VDD is a test point for the Real Time Clock power supply.



Peripheral Bus Connector

Figure 6 illustrates the pin layout of the Peripheral Bus Connector in the 50-pin header, located at position JP1 on the eZ80® Development Platform. Table 2 identifies the pins and their functions.

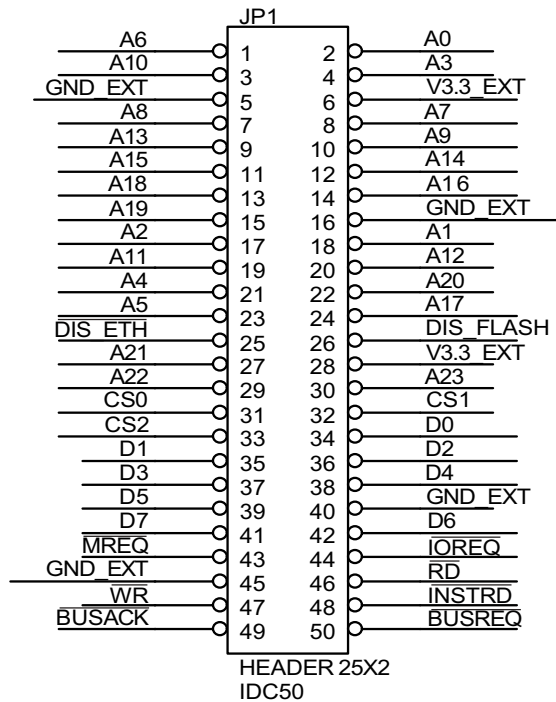


Figure 6. eZ80® Development Platform Peripheral Bus Connector Pin Configuration—JP1



**Table 2. eZ80[®] Development Platform
Peripheral Bus Connector Identification—JP1^{1,3}**

Pin #	Symbol	Signal Direction	Active Level	eZ80F91 Signal ²
1	A6	Bidirectional		Yes
2	A0	Bidirectional		Yes
3	A10	Bidirectional		Yes
4	A3	Bidirectional		Yes
5	GND			
6	V _{DD}			
7	A8	Bidirectional		Yes
8	A7	Bidirectional		Yes
9	A13	Bidirectional		Yes
10	A9	Bidirectional		Yes
11	A15	Bidirectional		Yes
12	A14	Bidirectional		Yes
13	A18	Bidirectional		Yes
14	A16	Bidirectional		Yes
15	A19	Bidirectional		Yes

Notes:

1. For the sake of simplicity in describing the interface, Power and Ground nets are omitted from this table. The entire interface is represented in the eZ80F91 Module Schematics [on pages 64 through 66](#).
2. The Power and Ground nets are connected directly to the eZ80F91 device.
3. Additional note: external capacitive loads on RD, WR, IORQ, MREQ, D0–D7 and A0–A23 should be below 10pF to satisfy the timing requirements for the eZ80 CPU. All unused inputs should be pulled to either V_{DD} or GND, depending on their inactive levels to reduce power consumption and to reduce noise sensitivity. To prevent EMI, the EZ80CLK output can be deactivated via software in the eZ80F91's Peripheral Power-Down Register.



**Table 2. eZ80[®] Development Platform
Peripheral Bus Connector Identification—JP1^{1,3} (Continued)**

Pin #	Symbol	Signal Direction	Active Level	eZ80F91 Signal ²
16	GND			
17	A2	Bidirectional		Yes
18	A1	Bidirectional		Yes
19	A11	Bidirectional		Yes
20	A12	Bidirectional		Yes
21	A4	Bidirectional		Yes
22	A20	Bidirectional		Yes
23	A5	Bidirectional		Yes
24	A17	Bidirectional		Yes
25	DIS_ETH	Output	Low	No
26	DIS_FLASH	Output	Low	No
27	A21	Bidirectional		Yes
28	V _{DD}			
29	A22	Bidirectional		Yes
30	A23	Bidirectional		Yes

Notes:

1. For the sake of simplicity in describing the interface, Power and Ground nets are omitted from this table. The entire interface is represented in the eZ80F91 Module Schematics [on pages 64 through 66](#).
2. The Power and Ground nets are connected directly to the eZ80F91 device.
3. Additional note: external capacitive loads on RD, WR, IORQ, MREQ, D0–D7 and A0–A23 should be below 10pF to satisfy the timing requirements for the eZ80 CPU. All unused inputs should be pulled to either V_{DD} or GND, depending on their inactive levels to reduce power consumption and to reduce noise sensitivity. To prevent EMI, the EZ80CLK output can be deactivated via software in the eZ80F91's Peripheral Power-Down Register.



**Table 2. eZ80[®] Development Platform
Peripheral Bus Connector Identification—JP1^{1,3} (Continued)**

Pin #	Symbol	Signal Direction	Active Level	eZ80F91 Signal ²
31	CS0	Input	Low	Yes
32	CS1	Input	Low	Yes
33	CS2	Input	Low	Yes
34	D0	Bidirectional		Yes
35	D1	Bidirectional		Yes
36	D2	Bidirectional		No
37	D3	Bidirectional		Yes
38	D4	Bidirectional		Yes
39	D5	Bidirectional		Yes
40	GND			
41	D7	Bidirectional		Yes
42	D6	Bidirectional		Yes
43	<u>MREQ</u>	Bidirectional	Low	Yes
44	<u>IORQ</u>	Bidirectional	Low	Yes
45	GND			

Notes:

1. For the sake of simplicity in describing the interface, Power and Ground nets are omitted from this table. The entire interface is represented in the eZ80F91 Module Schematics [on pages 64 through 66](#).
2. The Power and Ground nets are connected directly to the eZ80F91 device.
3. Additional note: external capacitive loads on RD, WR, IORQ, MREQ, D0–D7 and A0–A23 should be below 10pF to satisfy the timing requirements for the eZ80 CPU. All unused inputs should be pulled to either V_{DD} or GND, depending on their inactive levels to reduce power consumption and to reduce noise sensitivity. To prevent EMI, the EZ80CLK output can be deactivated via software in the eZ80F91's Peripheral Power-Down Register.



**Table 2. eZ80[®] Development Platform
Peripheral Bus Connector Identification—JP1^{1,3} (Continued)**

Pin #	Symbol	Signal Direction	Active Level	eZ80F91 Signal ²
46	RD	Bidirectional	Low	Yes
47	WR	Bidirectional	Low	Yes
48	INSTRD	Input	Low	Yes
49	BUSACK	Input	Pull-Up 10K Ω ; Low	Yes
50	BUSREQ	Output	Pull-Up 10K Ω ; Low	Yes

Notes:

1. For the sake of simplicity in describing the interface, Power and Ground nets are omitted from this table. The entire interface is represented in the eZ80F91 Module Schematics [on pages 64 through 66](#).
2. The Power and Ground nets are connected directly to the eZ80F91 device.
3. Additional note: external capacitive loads on RD, WR, IORQ, MREQ, D0–D7 and A0–A23 should be below 10pF to satisfy the timing requirements for the eZ80 CPU. All unused inputs should be pulled to either V_{DD} or GND, depending on their inactive levels to reduce power consumption and to reduce noise sensitivity. To prevent EMI, the EZ80CLK output can be deactivated via software in the eZ80F91's Peripheral Power-Down Register.

I/O Connector

Figure 7 illustrates the pin layout of the I/O Connector in the 50-pin header, located at position JP2 on the eZ80[®] Development Platform. Table 3 identifies the pins and their functions.

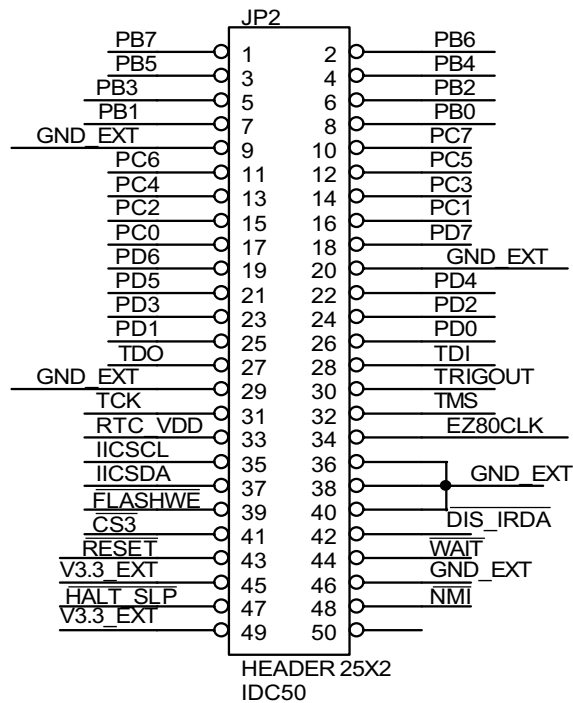


Figure 7. eZ80[®] Development Platform I/O Connector Pin Configuration—JP2



**Table 3. eZ80[®] Development Platform
I/O Connector Identification—JP2¹**

Pin #	Symbol	Signal Direction	Active Level	eZ80F91 Signal ²
1	PB7	Bidirectional		Yes
2	PB6	Bidirectional		Yes
3	PB5	Bidirectional		Yes
4	PB4	Bidirectional		Yes
5	PB3	Bidirectional		Yes
6	PB2	Bidirectional		Yes
7	PB1	Bidirectional		Yes
8	PB0	Bidirectional		Yes
9	GND			
10	PC7	Bidirectional		Yes
11	PC6	Bidirectional		Yes
12	PC5	Bidirectional		Yes
13	PC4	Bidirectional		Yes
14	PC3	Bidirectional		Yes
15	PC2	Bidirectional		Yes
16	PC1	Bidirectional		Yes
17	PC0	Bidirectional		Yes
18	PD7	Bidirectional		Yes

Notes:

1. For the sake of simplicity in describing the interface, Power and Ground nets are omitted from this table. The entire interface is represented in the eZ80F91 Module Schematics [on pages 64 through 66](#).
2. The Power and Ground nets are connected directly to the eZ80F91 device.



**Table 3. eZ80[®] Development Platform
I/O Connector Identification—JP2¹ (Continued)**

Pin #	Symbol	Signal Direction	Active Level	eZ80F91 Signal ²
19	PD6	Bidirectional		
20	GND			
21	PD5	Bidirectional		Yes
22	PD4	Bidirectional		Yes
23	PD3	Bidirectional		Yes
24	PD2	Bidirectional		Yes
25	PD1	Bidirectional		Yes
26	PD0	Bidirectional		Yes
27	TDO	Input		Yes
28	TDI/ZDA	Output		Yes
29	GND			
30	TRIGOUT	Input	High	
31	TCK/ZCL	Output		Yes
32	TMS	Output	High	Yes
33	RTC_V _{DD}			
34	EZ80CLK	Input		Yes
35	SCL	Bidirectional		Yes
36	GND			

Notes:

1. For the sake of simplicity in describing the interface, Power and Ground nets are omitted from this table. The entire interface is represented in the eZ80F91 Module Schematics [on pages 64 through 66](#).
2. The Power and Ground nets are connected directly to the eZ80F91 device.



**Table 3. eZ80[®] Development Platform
I/O Connector Identification—JP2¹ (Continued)**

Pin #	Symbol	Signal Direction	Active Level	eZ80F91 Signal ²
37	SDA	Bidirectional		Yes
38	GND			
39	FlashWE	Output	Low	No
40	GND			
41	CS3	Input	Low	Yes
42	DIS_IrDA	Output	Low	No
43	RESET	Bidirectional	Low	Yes
44	WAIT	Output	Pull-Up 10K Ω ; Low	Yes
45	V _{DD}			
46	GND			
47	HALT_SLP	Input	Low	Yes
48	NMI	Output	Low	Yes
49	V _{DD}			
50	Reserved			

Notes:

1. For the sake of simplicity in describing the interface, Power and Ground nets are omitted from this table. The entire interface is represented in the eZ80F91 Module Schematics [on pages 64 through 66](#).
2. The Power and Ground nets are connected directly to the eZ80F91 device.

Application Module Interface

An Application Module Interface is provided to allow the user to add an application-specific module to the eZ80[®] Development Platform. ZiLOG's Thermostat Application Module (not provided in the kit) is an example of an application-specific module that demonstrates an HVAC control system. Implementing an application module with the Application Module Interface requires that the eZ80F91 Module also be mounted on the eZ80[®] Development Platform, because the eZ80F91 device controls the application. To mount an application module, use the two male headers J6 and J8.

Connector J6 carries the General Purpose Input/Output ports (GPIO), and connector J8 carries memory and control signals. To design an application module, the user should be familiar with the architecture and features of the eZ80F91 Module currently installed. Tables 4 and 5 list the signals and functions related to each of these connectors by pin. Power and ground signals are omitted for the sake of simplicity.

Table 4. GPIO Connector J6*

Signal	Pin #	Function	Direction	Notes
SCL	5	I ² C Clock	IN/OUT	
SDA	7	I ² C Data	IN/OUT	
MOD_DIS	9	Modem Disable	IN	If a shunt is installed between pins 6 and 9, the modem function on the eZ80 [®] Development Platform is disabled.
MWAIT	13	WAIT signal for the CPU	IN	
EM_D0	15	Emulated, Bit 0	IN/OUT	

Note: *All of the signals are driven directly by the CPU.



Table 4. GPIO Connector J6* (Continued)

Signal	Pin #	Function	Direction	Notes
CS3	17	Chip Select 3 of the CPU	OUT	This signal is also present on the J8.
EM_D[7:1]	21,23,25, 27,29,31, 33	Emulated, Bit [7:1]	IN/OUT	
Reserved	35			
PC[7:0]	39,41,43, 45,47,49, 51,53	Port C, Bit [7:0]	IN/OUT	
ID_[2:0]	6,8,10	eZ80 [®] Development Platform ID	OUT	
CON_DIS	12	Console Disable	IN	If a shunt is installed between pins 12 and 14, the Console function on the eZ80 [®] Development Platform is disabled.
Reserved	16,18			
PD[7:0]	22,24,26, 28,30,32, 34,36	Port D, Bit[7:0]	IN/OUT	
PB[7:0]	40,42,44, 46,48,50, 52,54	Port B, Bit[7:0]	IN/OUT	

Note: *All of the signals are driven directly by the CPU.

Table 5. CPU Bus Connector J8*

Signal	Pin #	Function	Direction
A[0:7]	3–10	Address Bus, Low Byte	OUT
A[8:15]	13–20	Address Bus, High Byte	OUT
A[16:23]	23–30	Address Bus, Upper Byte	OUT
RD	33	READ Signal	OUT
RESET	35	Push Button Reset	OUT
BUSACK	37	CPU Bus Acknowledge Signal	OUT
NMI	39	Nonmaskable Interrupt	IN
D[0:7]	43–50	Data Bus	IN/OUT
CS[0:3]	53–56	Chip Selects	
MREQ	57	Memory Request	OUT
WR	34	Write Signal	OUT
INSTRD	36	Instruction Fetch	OUT
BUSREQ	38	CPU Bus Request signal	
PHI	40	Clock output of the CPU	OUT

Note: *All of the signals except BUSACK and INSTRD are driven by low-voltage CMOS technology (LVC) drivers.

I/O Functionality

The eZ80[®] Development Platform provides I/O functionality. These functions are memory-mapped with an address decoder based on the Generic Array Logic GAL221V10D (U15) device manufactured by Lattice Semiconductor, and a bidirectional latch (U16). Additionally, U15 is used to decode addresses for access to the 7x5 LED matrix.



Table 6 lists the addresses of registers that allow access to the above functions. The register at address 800000h controls GPIO Output Control and LED Anode register functions. The register at address 800001h controls the register functions for the LED cathode, modem reset, and user triggers. Address 800002h contains GPIO data.

Table 6. LED and Port Emulation Addresses

Address	Register Function	Access
800000h	LED Anode/GPIO Port output control	WR
800001h	LED Cathode/Modem/Trig	WR
800002h	GPIO Data	RD/WR

GPIO Emulation

GPIO is emulated with the use of the GPIO Output Control Register and the GPIO Data Register. Table 7 lists the multiple functions of the register.

Table 7. LED Anode/GPIO Output Control Register

Function	Bit #							
	7	6	5	4	3	2	1	0
Anode Col 1								X
Anode Col 2							X	
Anode Col 3						X		
Anode Col 4					X			
Anode Col 5				X				
Anode Col 6			X					
Anode Col 6		X						
GPIO Output	X							

The GPIO Data Register receives inputs or provides outputs for each of the seven GPIO lines, depending on the configuration of the port. See Table 8.

Table 8. GPIO Data Register

Function/Bit #	7	6	5	4	3	2	1	0
GPIO D0								X
GPIO D1							X	
GPIO D2						X		
GPIO D3					X			
GPIO D4				X				
GPIO D5			X					
GPIO D6		X						
GPIO D7	X							

Modem Reset

The Modem Reset signal, MRESET, is used to reset an optional socket modem. This signal is controlled by bit 5 in the register shown in Table 12. The MRESET signal is available at the embedded modem socket interface (J9, Pin 1). Setting this bit Low places the optional socket modem into a reset state. The user must pull this bit High again to enable the socket modem. Reference the appropriate documentation for the socket modem to reset timing requirements.

User Triggers

Two trigger output pins are provided on the eZ80[®] Development Platform. Labeled J21 (Trig2) and J22 (Trig1), these pins allow the user a way to *trigger* external equipment to aid in the debug of the system. See Figure 8 for trigger pin details.

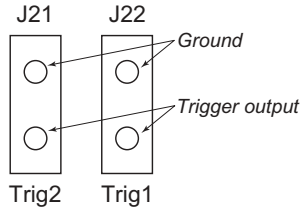


Figure 8. Trigger Pins J21 and J22

Bits 6 and 7 in Table 12 are the control bits for the user triggers. If either bit is a 1, the corresponding Trig1 and Trig2 signals are driven High. If either bit is 0, the corresponding Trig1 and Trig2 signals are driven Low.

Embedded Modem Socket Interface

The eZ80[®] Development Platform features a socket for an optional 56K modem (a modem is not included in the kit).

Connectors J1, J5, and J9 provide connection capability. The modem socket interface provided by these three connectors is shown in Figure 9. Tables 9 through 11 identify the pins for each connector. The embedded modem utilizes UART1, which is available via the Port C pins.

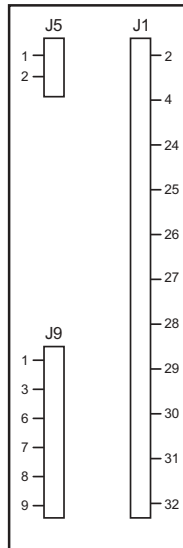


Figure 9. Embedded Modem Socket Interface—J1, J5, and J9

Table 9. Connector J5

Pin	Symbol	Description
1	M-TIP	Telephone Line Interface—TIP.
2	M-RING	Telephone Line Interface—RING.

Table 10. Connector J9

Pin	Symbol	Description
1	MRESET	Reset, active Low, 50–100ms. Closure to GND for reset.
3	GND	Ground.



Table 10. Connector J9

6	D1	DCD indicator; can drive an LED anode without additional circuitry.
7	D2	RxD indicator; can drive an LED anode without additional circuitry.
8	D3	DTR indicator; can drive an LED anode without additional circuitry.
9	D4	TxD indicator; can drive an LED anode without additional circuitry.

Table 11. Connector J1

Pin	Symbol	Description
2	MOD_DIS	Modem disable, active Low.
4	V _{CC}	+5 VDC or +3.3 VDC input.
24	GND	Ground.
25	PC4_DTR1	DTR interface; TTL levels.
26	PC6_DCD1	DCD interface; TTL levels.
27	PC3_CTS1	CTS interface; TTL levels.
28	PC5_DSR1	DSR interface; TTL levels.
29	PC7_RI1	Ring Indicator interface; TTL levels.
30	PC0_TXD1	TxD interface; TTL levels.
31	PC1_RXD1	RxD interface; TTL levels.
32	PC2_RTS1	RTS interface; TTL levels.

Components P4, T1, C3, C4, and U11 provide the phone line interface to the modem. On the eZ80[®] Development Platform, LEDs D1, D2, D3, and D4 function as status indicators for this optional modem.

The phone line connection for the modem is for the United States only. Connecting the modem outside of the U.S. requires modification.

The tested modem for this eZ80F91 Development Kit is a MultiTech Systems (formerly Conexant) socket modem, part number SC56H1. Either the 3.3V or the 5.0V version of the modem can be used. However, jumper J12 should be configured accordingly—see Table 17. Information about this modem and its interface is available in the *SocketModem* data sheet from www.multitech.com.

eZ80[®] Development Platform Memory

Memory space on the eZ80[®] Development Platform consists of onboard SRAM and additional SRAM footprints.

Onboard SRAM

The eZ80[®] Development Platform features 512KB SRAM at U20. This SRAM provides the basic memory requirement for small applications development. This SRAM is in the address range B80000h–BFFFFFFh. With the 512KB of SRAM on the eZ80F91 Module, this addressing structure provides 1MB of contiguous SRAM for immediate use. The Chip Select 2 ($\overline{CS2}$) signal is used to access the 512KB of SRAM on the eZ80[®] Development Platform.

Additional SRAM

The amount of eZ80[®] Development Platform memory can be extended if required by adding SRAM devices. U19, U18, and U17 provide this capability. However, the user should be aware that additional SRAM must be installed in the following order:

1. U19, address range B00000h–B7FFFFFFh
2. U18, address range A80000h–AFFFFFFh
3. U17, address range A00000h–A7FFFFFFh

If SRAM memory is installed in a different order than the above sequence, SRAM will not be contiguous unless the user is able to change the address decoder, U10. Memory access decoding is performed by this



address decoder, implemented in the Generic Array Logic device, GAL22LV10D (U10).

On-Chip SRAM

The eZ80F91 device on the eZ80F91 Module contains 8KB of on-chip SRAM. Upon power-up, this SRAM is enabled and mapped to address `FFC000h`. Using the RAM Address Register, this 8KB memory can be mapped to the top of any 64KB block. It can also be disabled. Please see the [eZ80F91 Product Specification](#) (PS0192) for more information.

Flash Memory

The eZ80F91 Development Kit allows off-chip Flash memories between 1MB and 4MB. This Flash memory is entirely located on the eZ80F91 Module (as footprint only; as shipped from the factory, external Flash is not installed).

Memory Map

A memory map of the eZ80[®] Development Platform and the eZ80F91 Module is illustrated in Figure 10. Flash memory and SRAM on the eZ80F91 Module are addressed when $\overline{CS0}$ and $\overline{CS1}$ are active Low. SRAM on the eZ80[®] Development Platform is addressed when $\overline{CS2}$ is active Low.

Please refer to the [eZ80F91 Product Specification](#) (PS0192) for more details about controlling on-chip Flash memory and SRAM,

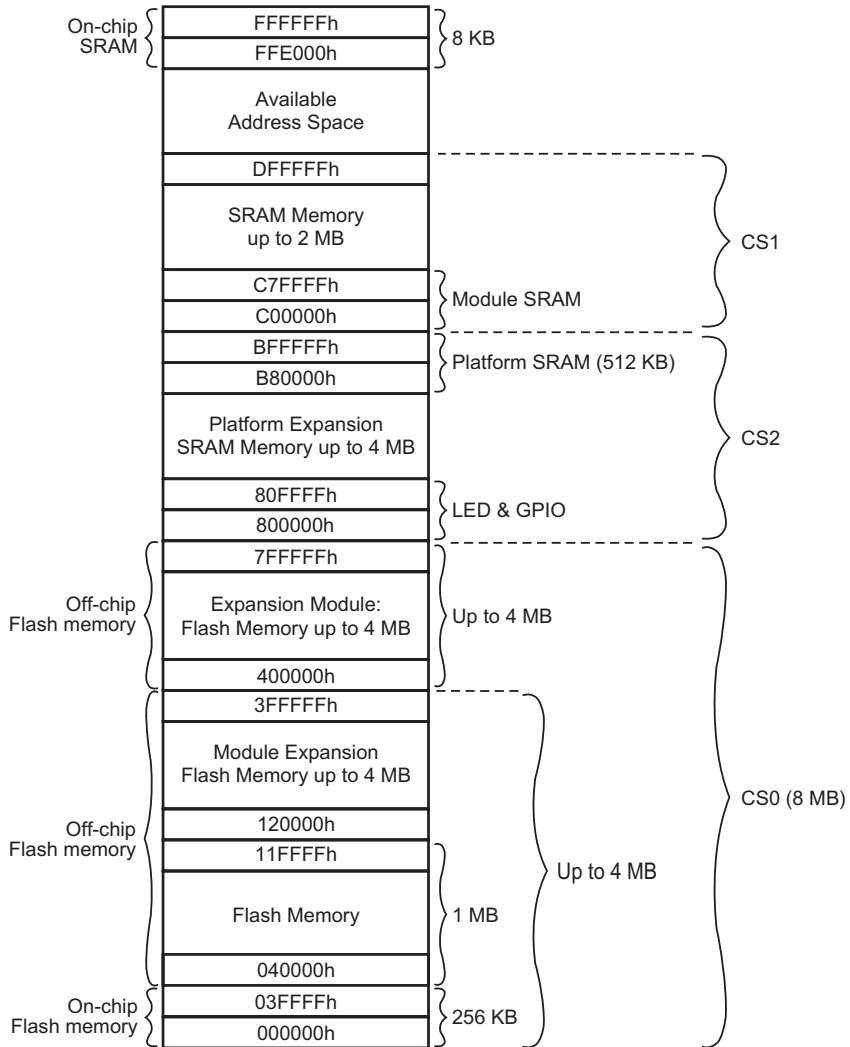


Figure 10. Memory Map of the eZ80[®] Development Platform and eZ80F91 Module



LEDs

As stated [on page 28](#), LEDs D1, D2, D3, and D4 function as status indicators for an optional modem. This section describes each LED and the LED matrix device.

LED Matrix

The 7x5 LED matrix device on the eZ80[®] Development Platform is a memory-mapped device that can be used to display information, such as programmed alphanumeric characters. For example, the LED display sample program that is shipped with this kit displays the alphanumeric message:

```
eZ80
```

To illuminate any LED in the matrix, its respective anode bit must be set to 1 and its corresponding cathode bit must be set to 0.

Bits 0–6 in Table 7 are LED anode bits. They must be set High (1) and their corresponding cathode bits, bits 0–4 in Table 12, must be set Low (0) to illuminate each of the LED's, respectively.

If bit 7 in the GPIO Output Control Register is 1, all of the GPIO lines are configured as inputs. If this bit is 0, all of the GPIO lines are configured as outputs.

Table 12 indicates the multiple register functions of the LED cathode, modem, and triggers. This table shows the bit configuration for each cathode bit. Bits 5, 6, and 7 do not carry any significance within the LED matrix. These three bits are control bits for the modem reset, Trig1, and Trig2 functions, respectively.

Table 12. Bit Access to the LED Cathode, Modem, and Triggers

Function	Bit #							
	7	6	5	4	3	2	1	0
Cathode Row 5								X
Cathode Row 4							X	
Cathode Row 3						X		
Cathode Row 2					X			
Cathode Row 1				X				
Modem RST			X					
Trig 1		X						
Trig 2	X							

An LED display sample program is shipped with the eZ80F91 Development Kit. Please refer to the [eZ80Acclaim! Development Kits Quick Start Guide](#) (QS0020) or to the Tutorial section in the [ZiLOG Developer Studio—eZ80Acclaim! User Manual](#) (UM0144).

Data Carrier Detect

The Data Carrier Detect (DCD) signal at D1 indicates that a good carrier signal is being received from the remote modem.

RX

The RX signal at D2 indicates that data is received from the modem.

Data Terminal Ready

The Data Terminal Ready (DTR) signal at D3 informs the modem that the PC is ready.



TX

The TX signal at D4 indicates that data is transmitted to the modem.

Push Buttons

The eZ80[®] Development Platform provides user controls in the form of push buttons. These push buttons serve as input devices to the eZ80F91 device. The programmer can use them as necessary for application development. All push buttons are connected to the GPIO Port B pins.

PB0

The PB0 push button switch, SW1, is connected to bit 0 of GPIO Port B. This switch can be used as the port input if required by the user.

PB1

The PB1 push button switch, SW2, is connected to bit 1 of GPIO Port B. This switch can be used as the port input if required by the user.

PB2

The PB2 push button switch, SW3, is connected to bit 2 of GPIO Port B. This switch can be used as the port input if required by the user.

RESET

The Reset push button switch, SW4, resets the eZ80 CPU and the eZ80[®] Development Platform.

Jumpers

The eZ80[®] Development Platform provides a number of jumpers that are used to enable or disable functionality on the platform, enable or disable optional features, or to provide protection from inadvertent use.

Jumper J2

The J2 jumper connection enables/disables IrDA transceiver functionality. When the shunt is placed, IrDA communication is disabled. See Table 13.

Table 13. J2—DIS_IrDA

Shunt Status	Function	Affected Device
In	IrDA on eZ80F91 Module disabled	UART0 is configured to work with the RS232 or the RS485 interfaces.
Out	IrDA on eZ80F91 Module enabled	IrDA is enabled to work with UART0 on the eZ80F91 device.

Jumper J3

The J3 jumper connection controls GPIO emulation mode and communication with the 7x5 LED. When the shunt is placed, GPIO emulation is disabled. See Table 14.

Table 14. J3—DIS_EM

Shunt Status	Function	Affected Device
In	Application Module Hardware Disabled	Communication with 7x5 LED and Port emulation circuit is disabled.
Out	Application Module Hardware Enabled	Communication with 7x5 LED and Port A emulation circuit is enabled.



Jumper J7

The J7 jumper connection controls Flash boot loader programming. When the shunt is placed, overwriting of the Flash boot loader program is enabled. See Table 15.

Table 15. J7—FlashWE (Off-Chip)*

Shunt Status	Function	Affected Device
Out	The Flash boot sector of the eZ80F91 Module is write-protected.	Flash boot sector of the eZ80F91 Module.
In	The Flash boot sector of the eZ80F91 Module is enabled for writing or overwriting.	Flash boot sector of the eZ80F91 Module.

Note: As shipped from the factory, external Flash memory is not installed.

Jumper J11

The J11 jumper connection controls access to the off-chip Flash memory device. When the shunt is placed, access to this Flash device is disabled/prevented. See Table 16.

Table 16. J11—DIS_Flash (Off-Chip)*

Shunt Status	Function	Affected Device
In	All access to Flash on the eZ80F91 Module is disabled.	Flash on eZ80F91 Module.
Out	Flash on the eZ80F91 Module is enabled.	Flash on eZ80F91 Module.

Note: As shipped from the factory, external Flash memory is not installed.

Jumper J12

The J12 jumper connection controls the selection of a 5V or 3VDC power supply to the embedded modem, if an embedded modem is used. See Table 17.

Table 17. J12—5VDC/3.3VDC for an Embedded Modem

Shunt Status	Function	Affected Device
1–2	5VDC is provided to power the embedded modem.	Embedded modem.
2–3	3.3VDC is provided to power the embedded modem.	Embedded modem.

Jumper J14

The J14 jumper connection controls the polarity of the Ring Indicator. See Table 18.

Table 18. J14—RI

Shunt Status	Function	Affected Device
1–2	The Ring Indicator for UART1 is inverted.	UART1.
2–3	The Ring Indicator for UART1 is not inverted.	UART1.



Jumper J15

The J15 jumper connection controls the selection RS485 circuit along with UART0. When the shunt is placed, the RS485 circuit is enabled. See Table 19. RS485 functionality will be available in future eZ80[®] devices.

Table 19. J15—RS485_1_EN*

Shunt Status	Function	Affected Device
In	The RS485 circuit is enabled on UART0. The UART0 CONSOLE interface and IrDA are disabled.	IrDA, UART0 CONSOLE interface, RS485 interface.
Out	The RS485 circuit is disabled on UART0.	IrDA, UART0 CONSOLE interface, RS485 interface.

Note: *To enable the RS485 circuit, the corresponding IrDA/RS232 circuit must be disabled.

Jumper J16

The J16 jumper connection controls the selection of the RS485 circuit. However, UART1 MODEM interface and the socket modem interface are disabled if the RS485 circuit is enabled. When the shunt is placed, the RS485 circuit is enabled. See Table 20.

Table 20. J16—RS485_2_EN

Shunt Status	Function	Affected Device
In	The RS485 circuit is enabled on UART1. The UART1 MODEM interface and the Socket Modem interface are disabled.	UART1 MODEM interface, Socket Modem Interface, and RS485 interface.
Out	The RS485 circuit is disabled on UART1.	UART1 MODEM interface, Socket Modem Interface, and RS485 interface.



Jumper J17

The J17 jumper connection controls the selection of the RS485 termination resistor circuit. When the shunt is placed, the RS485 termination resistor circuit is enabled. See Table 21.

Table 21. J17—RT_1*

Shunt Status	Function	Affected Device
In	The Termination Resistor for RS485_1 is IN.	RS485 interface.
Out	The Termination Resistor for RS485_1 is OUT.	RS485 interface.

Note: *Before enabling the termination resistor, ensure that the device is located at the end of the interface line.

Jumper J18

The J18 jumper connection controls the selection of the RS485 termination resistor circuit. When the shunt is placed, the RS485 termination resistor circuit is enabled. See Table 22.

Table 22. J18—RT_2*

Shunt Status	Function	Affected Device
In	The Termination Resistor for RS485_2 is IN.	RS485 interface.
Out	The Termination Resistor for RS485_2 is OUT.	RS485 interface.

Note: *Before enabling the termination resistor, ensure that the device is located at the end of the interface line.



Connectors

A number of connectors are available for connecting external devices such as the ZPAKII Debug Tool, PC serial ports, external modems, the console, and LAN/telephone lines.

J6 and J8 are the headers, or connectors, that provide pin-outs to connect any external application module, such as ZiLOG's Thermostat Application Module.

Connector J6

The J6 connector provides pin-outs to make use of GPIO functionality.

Connector J8

The J8 connector provides pin-outs to access memory and other control signals.

Console

Connector P2 is the RS232 terminal, which can be used for observing the console output. P2 can be connected to the PC running HyperTerminal if required.

Modem

Connector P3 provides a terminal for connecting an external modem, if used with the eZ80F91 Development Kit.

I²C Devices

The two I²C devices on the eZ80[®] Development Platform are the U2 EEPROM and the U13 Configuration register. The EEPROM provides 16KB of memory. The Configuration register provides access to control the configuration of an application-specific function at the Application Module Interface. Neither device is utilized by the eZ80F91 Development



Kit software. The user is free to develop proprietary software for these two devices. The addresses for accessing these devices are listed in Table 23.

Table 23. I²C Addresses

Device/Bit #	7	6	5	4	3	2	1	0
EEPROM (U10)*	1	0	1	0	0	A1	A0	R/W
Configuration Register (U13)	1	0	0	1	1	1	0	R/W

Note: *EEPROM address bits A0 and A1 are configured for 0s.



eZ80F91 Module

This section describes the eZ80F91 Module hardware, its interfaces and key components, including the CPU, real-time clock, IrDA transceiver, and memory.

Functional Description

The eZ80F91 Module is a compact, high-performance module specially designed for the rapid development and deployment of embedded systems. Additional devices such as serial ports, LED matrices, GPIO ports, and I²C devices are supported when connected to the eZ80[®] Development Platform. A block diagram representing both of these boards is shown in [Figure 1](#) on page 4.

Despite its small footprint, the eZ80F91 Module provides a CPU, Flash memory, Ethernet interface, SRAM, an IrDA transceiver, and a real-time clock with a back-up battery. This module is powered by the eZ80F91 microcontroller, a new member of ZILOG's eZ80[®] product family. The eZ80F91 Module can also be used as a stand-alone development tool when provided with an external power source.

Fast Buffer

A Fast Buffer is located on the data bus to Flash memory. The purpose of this Fast Buffer is to avoid bus contention that can exist due to the slow turn-off time of Flash memory and the fast bus turn-around time of the eZ80F91 device (a generic feature of the eZ80[®] family when is used in native mode). The discussion that follows references Figure 11.

Bus contention can occur when two or more devices drive a common bus. $\overline{CS0}$ on the eZ80F91 device drives the Flash \overline{CE} . Upon accessing Flash memory, $\overline{CS0}$ is driven High a maximum of 8.8 ns after the next rising edge of the CPU Clock (T6—please refer to the External Memory Read

Timing diagram in the [eZ80F91 Product Specification](#) (PS0192) for assistance). The Flash turn-off time (T_{OD}) is 25 ns—the duration from \overline{OE} or \overline{CE} going High to Flash output drivers in a high-impedance state. For further information, see the MT28F008 data sheet on www.micron.com.

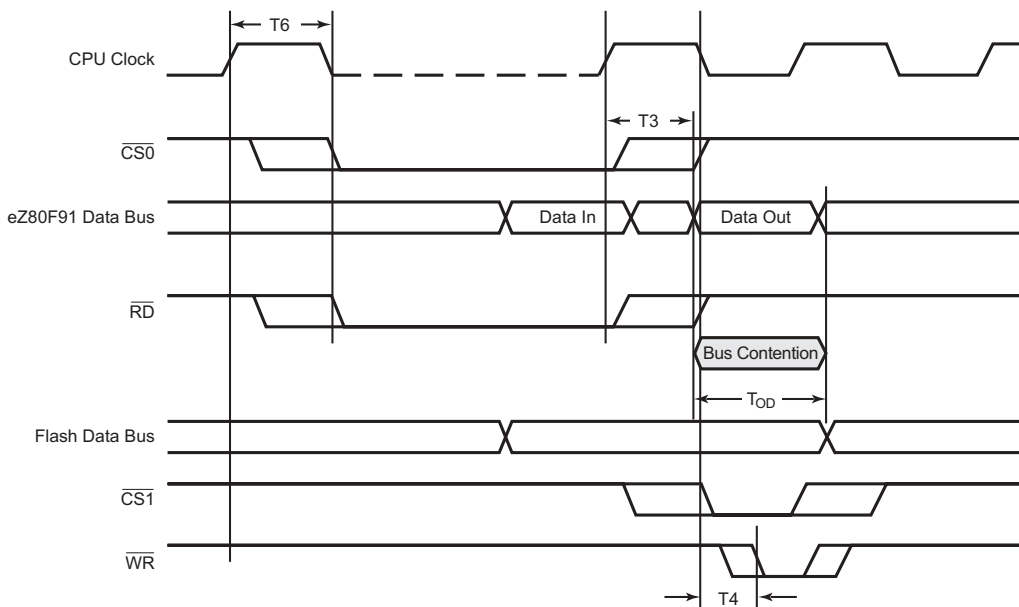


Figure 11. Possible Bus Contention without Fast Buffer

Essentially, after the eZ80F91 device accesses Flash memory, a time duration of $8.8\text{ ns} + 25\text{ ns} = 33.8\text{ ns}$ can transpire before Flash memory stops driving the data bus. At that time, the eZ80F91 device is well into the next bus cycle. Assuming this next cycle is the Memory Write cycle, then the data output of the eZ80F91 device is valid not later than $T3 = 7.5\text{ ns}$, and the write pulse is asserted not later than 4.5 ns after the falling edge of the CPU Clock (14.5 ns from the rising edge if the CPU Clock is 50 MHz). The duration of bus contention, T_{CON} , is 33.8 ns –



$7.5\text{ ns} = 26.3\text{ ns}$. Refer to the External Memory Write Timing diagram in the [eZ80F91 Product Specification](#) (PS0192) for assistance.

With the addition of a Fast buffer, Flash turn-off time is reduced from 25 ns to 5.5 ns . Bus contention can still occur, but the amount of time it consumes is not $T_{\text{CON}} = 26.3\text{ ns}$ but rather $T_{\text{CON}} = (8.8\text{ ns} - 7.5\text{ ns} + 5.5\text{ ns}) = 6.8\text{ ns}$. At this faster rate, data that is being written does not become corrupted because the write pulse is not yet asserted.

As of the date of publication of this document, ZiLOG has not completed an analysis of the effect that this 6.8 ns period of bus contention has on the design. An Application Note from [Cypress Semiconductor](#) titled *NoBL SRAM and Bus Contention* further explains this bus contention issue.

Physical Dimensions

The footprint of the eZ80F91 Module PCB is 63.5 mm x 78.7 mm. With an RJ-45 Ethernet connector, the overall height is 25 mm. See Figure 12.

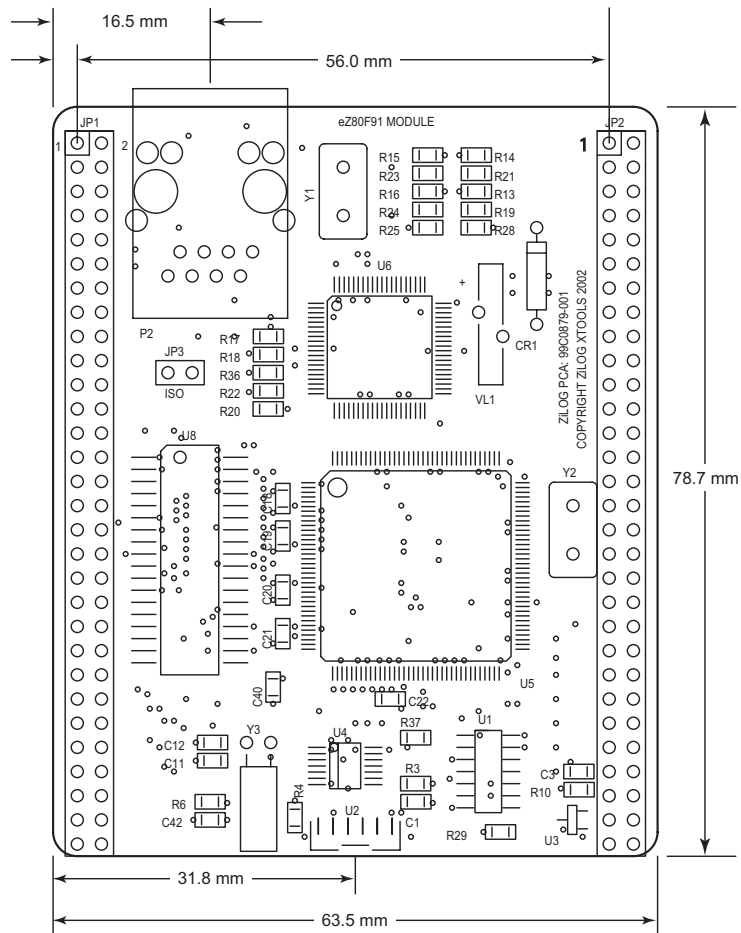


Figure 12. Physical Dimensions of the eZ80F91 Module



Figure 13 illustrates the top layer silkscreen of the eZ80F91 Module.

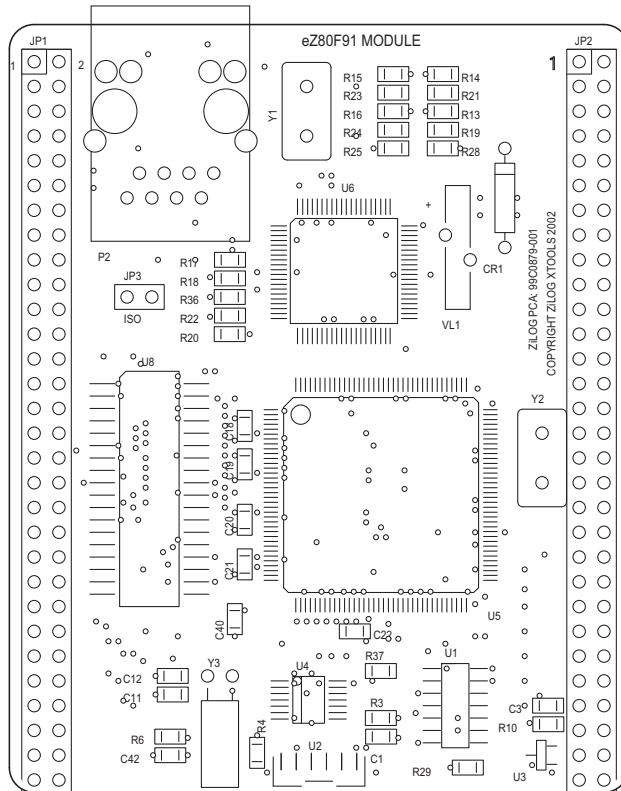


Figure 13. eZ80F91 Module—Top Layer

Figure 14 illustrates the bottom layer silkscreen of the eZ80F91 Module.

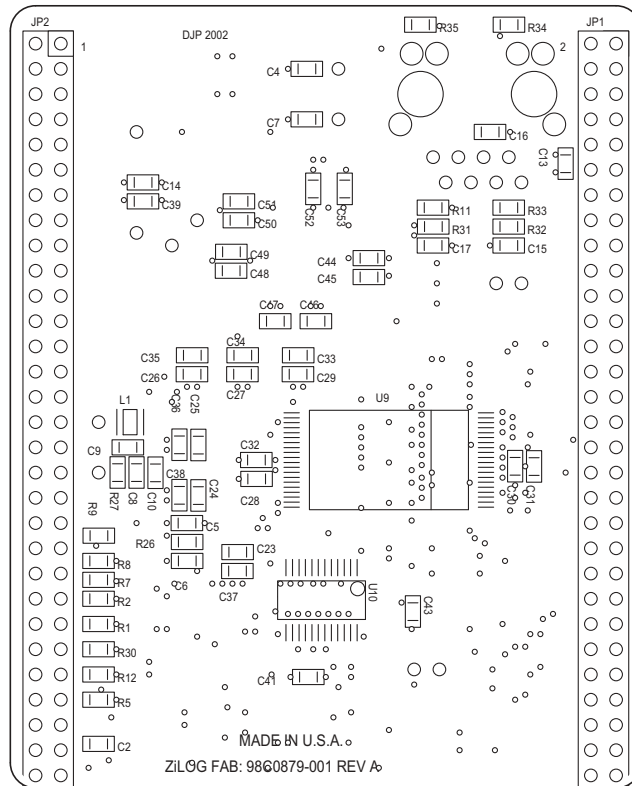


Figure 14. eZ80F91 Module—Bottom Layer



Operational Description

The purpose of the eZ80F91 Module as a feature of the eZ80F91 Development Kit is to provide the application developer with a plug-in tool to evaluate such features of the eZ80F91 device as on-chip EMAC, SRAM, Flash, etc.

eZ80F91 Module Memory

Static RAM

The eZ80F91 Module features 512KB of fast SRAM. Access speed is typically 12ns, allowing zero-wait-state operation at 50MHz. With the CPU at 50MHz, SRAM can be accessed with zero wait states in eZ80 mode. CS1_CTL ($\overline{\text{CS1}}$) can be set to 08h (no wait states).

Flash Memory

The eZ80F91 Module features 256KB of on-chip Flash memory, which can be programmed a single byte at a time, or in bursts of up to 128 bytes. Write operations can be performed using either memory or I/O instructions. Erasing bytes in Flash memory returns them to a value of FFh. Both the MASS ERASE and PAGE ERASE operations are self-timed by the Flash controller, leaving the CPU free to execute other operations in parallel. Upon power-up, the on-chip Flash memory is located in the address range 000000h–03FFFFh. Four wait states are programmed in Flash control register F8h.

On-chip Flash memory is prioritized over all external Chip Selects, can be enabled or disabled (power-on enabled), and can be programmed within any 256KB address space in the 16MB address range.

The eZ80F91 Module features the following memory configurations:

- On-chip SRAM: 8KB
- Off-chip SRAM: 512KB
- On-chip Flash: 256KB

Reset Generator

An onboard supervisory chip is connected to the eZ80F91 Reset input pin. It performs reliable Power-On Reset functions, generating a reset pulse with a duration of 200ms if the power supply drops below 2.93 V. This reset pulse ensures that the board always starts in a defined condition. The RESET pin on the I/O connector reflects the status of the RESET line. It is a bidirectional pin for resetting external peripheral components or for resetting the eZ80F91 Development Kit with a low-impedance output (e.g. a 100-Ohm push button).

IrDA Transceiver

An onboard IrDA transceiver (ZiLOG ZHX1810) is connected to PD0 (TX), PD1 (RX), and PD2 (Shutdown, IR_SD). The IrDA transceiver is of the LED type 870nm Class 1.

The IrDA transceiver is accessible via the IrDA controller attached to UART0 on the eZ80F91 device. While using the IrDA transceiver, the user must disable the console port on the eZ80[®] Development Platform. See [Table 4](#) on page 21.

To use the UART0 as a console or to save power, the transceiver can be disabled by the software or by an off-board signal when using the proper jumper selection. The transceiver is disabled by setting PD2 (IR_SD) High or by pulling the $\overline{\text{DIS_IRDA}}$ pin on the I/O connector Low. The shutdown feature is used for power savings. To enable the IrDA transceiver, $\overline{\text{DIS_IRDA}}$ is left floating and PD2 is pulled Low.

The RxD and TxD signals on the transceiver perform the same functions as a standard RS232 port. However, these signals are processed as IrDA 3/16 coding pulses (sometimes called IrDA encoder/decoder pulses). When the IrDA function is enabled, the final output to the RxD and TxD pins are routed through the 3/16 pulse generator.

Another signal that is used in the eZ80F91 Module's IrDA system is Shut_Down (SD). The SD pin is connected to PD2 on the eZ80F91 Mod-

ule. The IrDA control software on the user’s wireless device must enable this pin to wake the IrDA transceiver. The SD pin must be set Low to enable the IrDA transceiver. On the eZ80F91 Module, a two-input OR gate is used to allow an external pin to shut down the IrDA transceiver. Both pins must be set Low to enable this function.

Figure 15 highlights the eZ80F91 Module IrDA hardware connections.

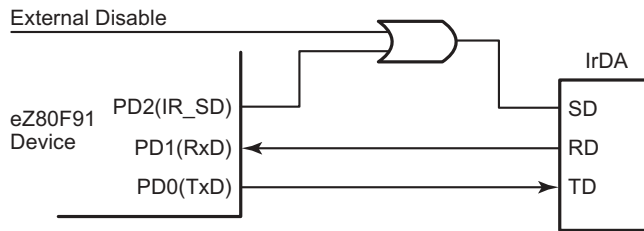


Figure 15. IrDA Hardware Connections

The eZ80F91 Module features an Infrared Encoder/Decoder register that configures the IrDA function. This register is located at address 0BFh in the internal I/O register map.

The Infrared Encoder/Decoder register contains three control bits. Bit 0 enables or disables the IrDA encoder/decoder block. Bit 1, if it is set, enables received data to pass into the UART0 Receive FIFO data buffer. Bit 2 is a test function that provides a loopback sequence from the TxD pin to the RxD input.

Bit 1, the Receive Enable bit, is used to block data from filling up the Receive FIFO when the eZ80F91 Module is transmitting data. Because IrDA signal passes through the air as its transmission medium, transmitted data can also be received. This Receive Enable bit prevents this data from being received. After the eZ80F91 Module completes transmitting, this bit is changed to allow for incoming messages.

The code that follows provides an example of how this function is enabled on the eZ80F91 Module.

```
//Init_IRDA
// Make sure to first set PD2 as a port bit, an output and set it Low.

PD_ALT1 &= 0xFC;           // PD0 = uart0tx, PD1 = uart0_rx
PD_ALT2 |= 0x03;          // Enable alternate function
UART_LCTL0= 0x80;         // Select dlab to access baud rate generator
BRG_DLR0=0x2F;           // Baud rate Masterclock/(16*baudrate)
BRG_DLRH0=0x00;          // High byte of baud rate
UART_LCTL0=0x00;         // Disable dlab
UART_FCTL0=0xC7;         // Clear tx fifo, enable fifo
UART_LCTL0=0x03;         // 8bit, N, 1 stop
IR_CTL = 0x03;           // enable IRDA Encode/decode and Receive
                           // enable bit.

//IRDA_Xmit

IR_CTL = 0x01;           //Disable receive
Puchar(0xb0);           //Output a byte to the uart0 port.
```

Flash Loader Utility

The Flash Loader utility integrated within ZDS II allows the user a convenient way to program on-chip Flash memory. Please refer to the [ZiLOG Developer Studio—eZ80Acclaim! User Manual](#) (UM0144) for more details.

Mounting the Module

The eZ80F91 Module features 2 60-pin connectors. However, the eZ80[®] Development Platform contains 50-pin sockets for this module. When mounting the eZ80F91 Module onto the eZ80[®] Development Platform, check its orientation to the platform to ensure a correct fit. Observe the underside of the module to note that pin 60 of the JP2 connector is removed and that its corresponding socket on the eZ80[®] Development Platform is plugged.



Pin 60 of the eZ80F91 Module's JP1 connector must align with the pin 50 socket on the eZ80[®] Development Platform's JP1 connector; pin 60 of the eZ80F91 Module's JP2 connector must align with pin 50 of the eZ80[®] Development Platform's JP2 socket. When the module is mounted correctly, it will overhang the edge of the eZ80[®] Development Platform by 10 pins.

Changing the Power Supply Plug

The universal 9VDC power supply offers three different plug configurations and a tool that aids in removing one plug configuration to insert another, as shown in Figure 16.

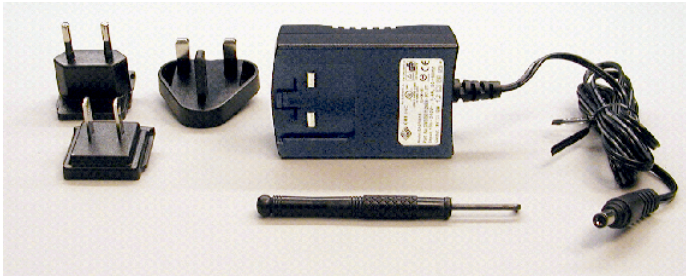


Figure 16. 9VDC Universal Power Supply Components

To exchange one plug configuration for another, perform the following steps:

1. Place the tip of the removal tool into the round hole at the top of the current plug configuration.
2. Press down to disengage the keeper tab and push the plug configuration out of its slot.
3. Select the plug configuration appropriate for your location, and insert it into the slot formerly occupied by the previous plug configuration.

4. Push the new plug configuration down until it snaps into place, as indicated in Figure 17.

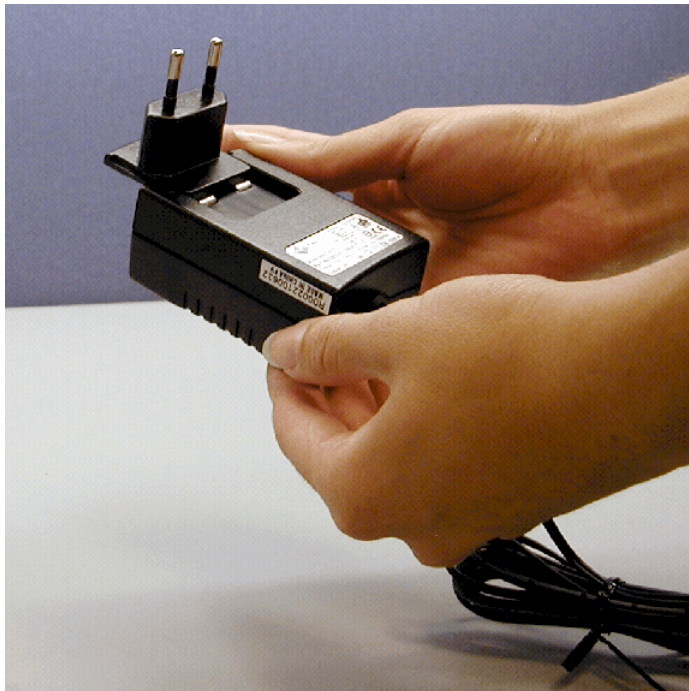


Figure 17. Inserting a New Plug Configuration



ZPAKII

ZPAKII is a debug tool used to develop and debug hardware and software. It is a networked device featuring an Ethernet interface and an RS232 console port. ZPAKII is shipped with a preconfigured IP address that can be changed to suit the user on a local network. For more information about using and configuring ZPAKII, please refer to the [eZ80Acclaim! Development Kits Quick Start Guide](#) (QS0020) and the [ZPAKII Product User Guide](#) (PUG0015).

ZDI Target Interface Module

The ZDI Target Interface Module provides a physical interface between ZPAKII and the eZ80[®] Development Platform. The TIM module supports ZDI functions. For more information on using the TIM module or ZDI please refer to the [eZ80Acclaim! Development Kits Quick Start Guide](#) (QS0020) and the [eZ80F91 Module Product Specification](#) (PS0193).

JTAG

Connector P1 is the JTAG connector on the eZ80[®] Development Platform. JTAG will be supported in the next offering of eZ80[®] products.

Application Modules

ZiLOG offers the Thermostat Application module, which can be used for evaluating and developing process control and simple I/O applications. The Thermostat Application module is equipped with an LCD display that can be used to display process control and other physical parameters. For additional reading about the Thermostat application, please see the [Java Thermostat Demo Application Note](#) (AN0104) on zilog.com.



ZDS II

ZiLOG Developer Studio II (ZDS II) Integrated Development Environment is a complete stand-alone system that provides a state-of-the-art development environment. Based on the Windows[®] Win98SE/NT4.0-SP6/Win2000-SP2/WinXP user interfaces, ZDS II integrates a language-sensitive editor, project manager, C-Compiler, assembler, linker, librarian, and source-level symbolic debugger that supports the eZ80F91 device.

**eZ80F91 Development Kit
User Manual**



56

Troubleshooting

Overview

Before contacting ZiLOG Customer Support to submit a problem report, please follow these simple steps. If a hardware failure is suspected, contact a local ZiLOG representative for assistance.

Cannot Download Code

If you are unable to download code to RAM using ZDS, make sure to press and release the Reset button on the eZ80[®] Development Platform prior to selecting **Build** → **Debug** → **Reset + Go** in ZDS.

IrDA Port Not Working

If you plan on using the IrDA transceiver on the eZ80F91 Module, make sure the hardware is set up as follows:

- Jumper J2 must be OFF (to enable the control gate that drives the IrDA device)
- Set port pin PD2 Low. When this port pin and Jumper J2 are turned OFF, the IrDA device is enabled.
- Install a jumper on connector J6 across pin names *con_dis* and *GND* to disable the console serial port driver

Contacting ZiLOG Customer Support

For additional troubleshooting solutions, see ZDS Online Help.

For valuable information about hardware and software development tools, visit [ZiLOG Customer Support](#) online. Download the latest released version of [ZiLOG Developer Studio](#)!



Get the latest [software updates](#) from ZiLOG as soon as they are available!

Schematic Diagrams

eZ80® Development Platform

Figures 18 through 22 diagram the layout of the eZ80® Development Platform.

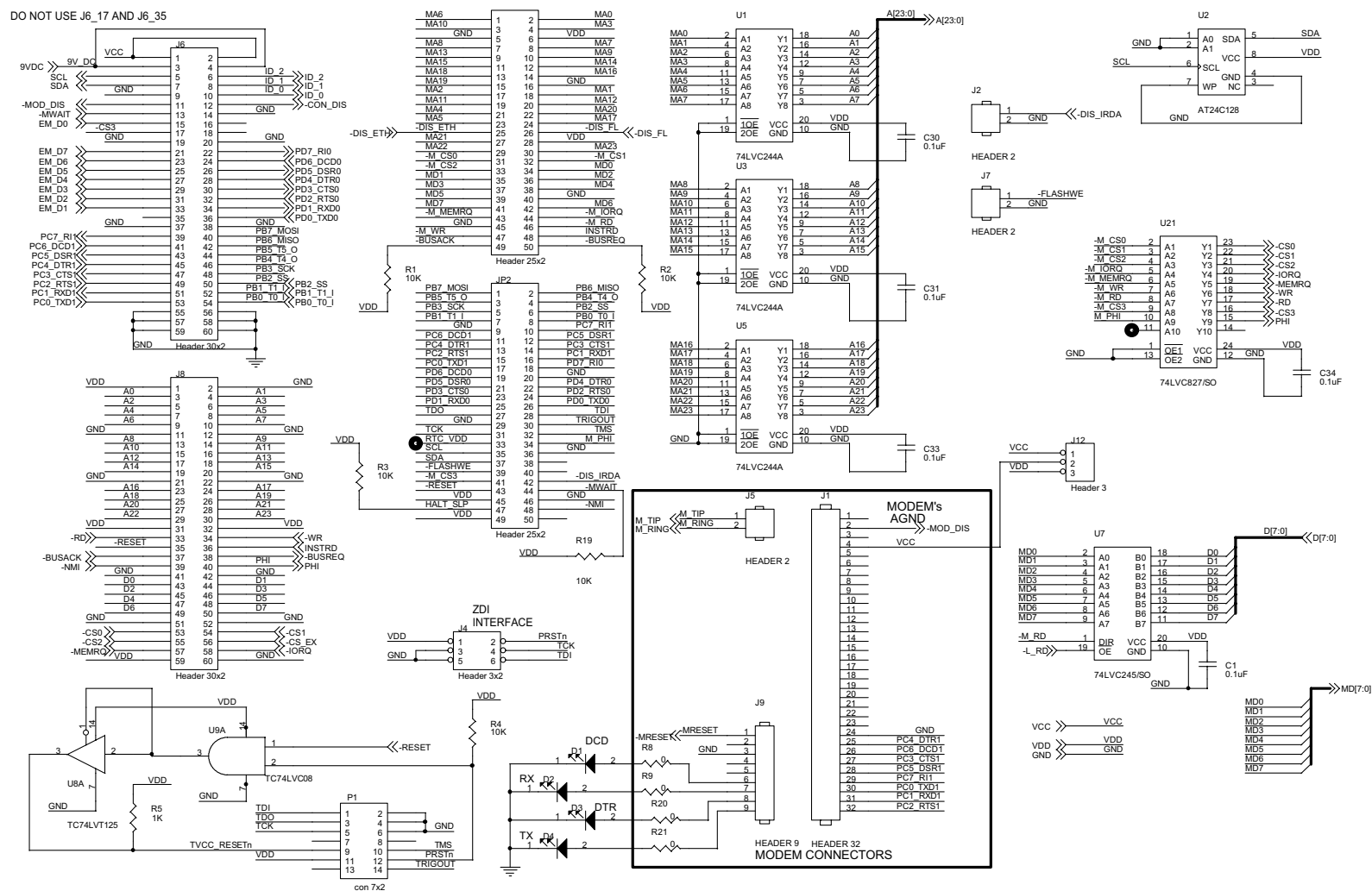


Figure 18. eZ80® Development Platform Schematic Diagram, #1 of 5

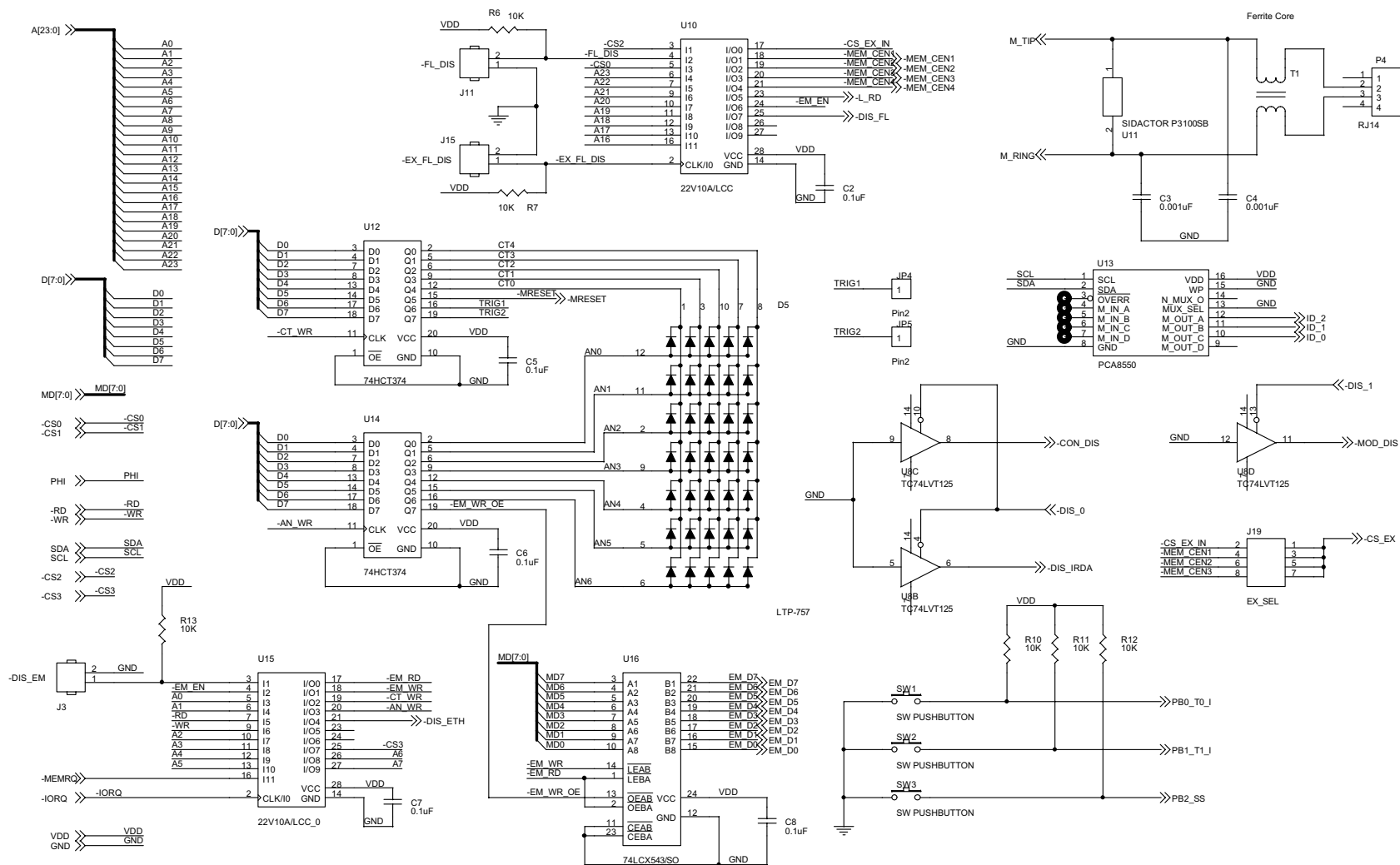


Figure 19. eZ80[®] Development Platform Schematic Diagram, #2 of 5

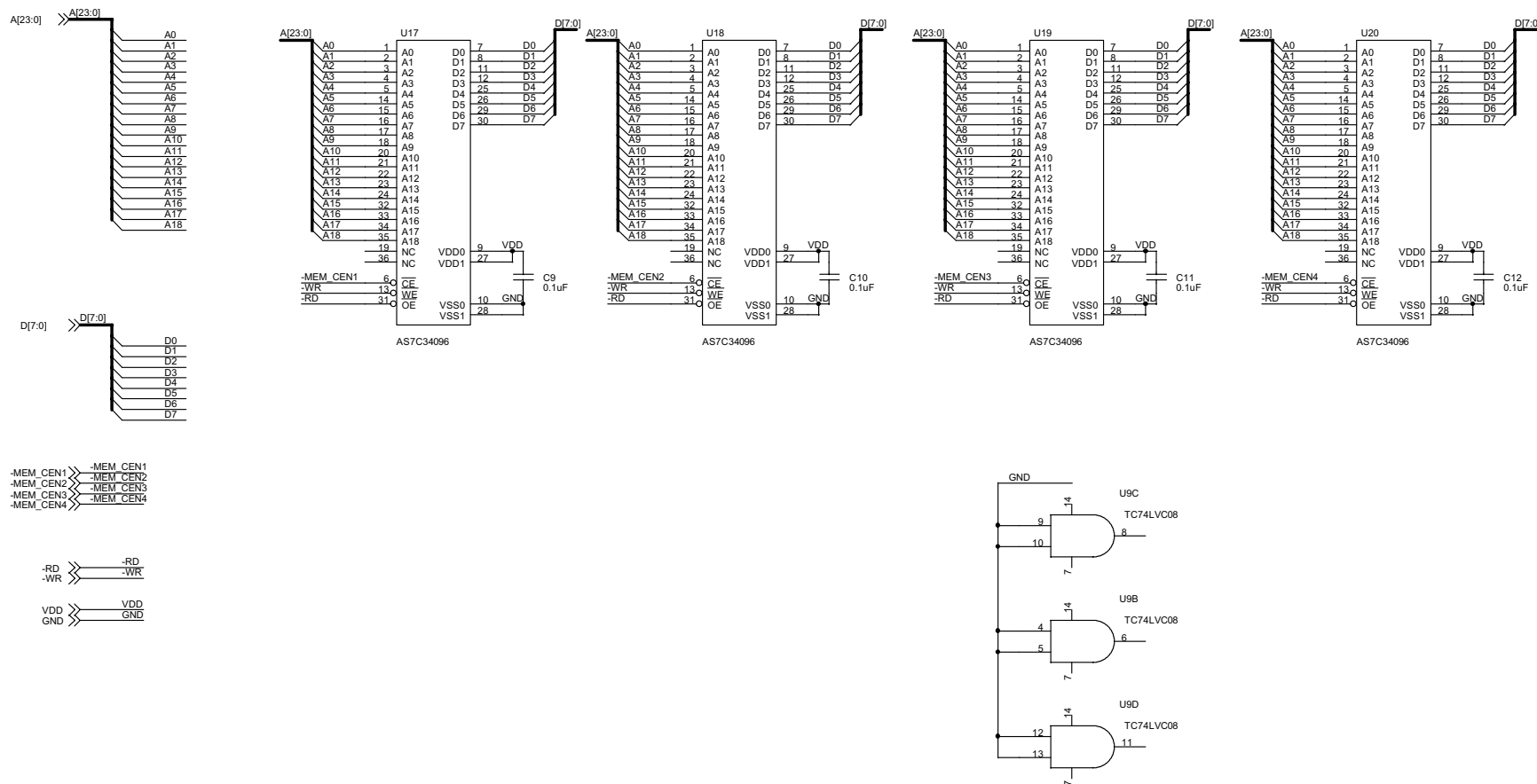


Figure 20. eZ80[®] Development Platform Schematic Diagram, #3 of 5

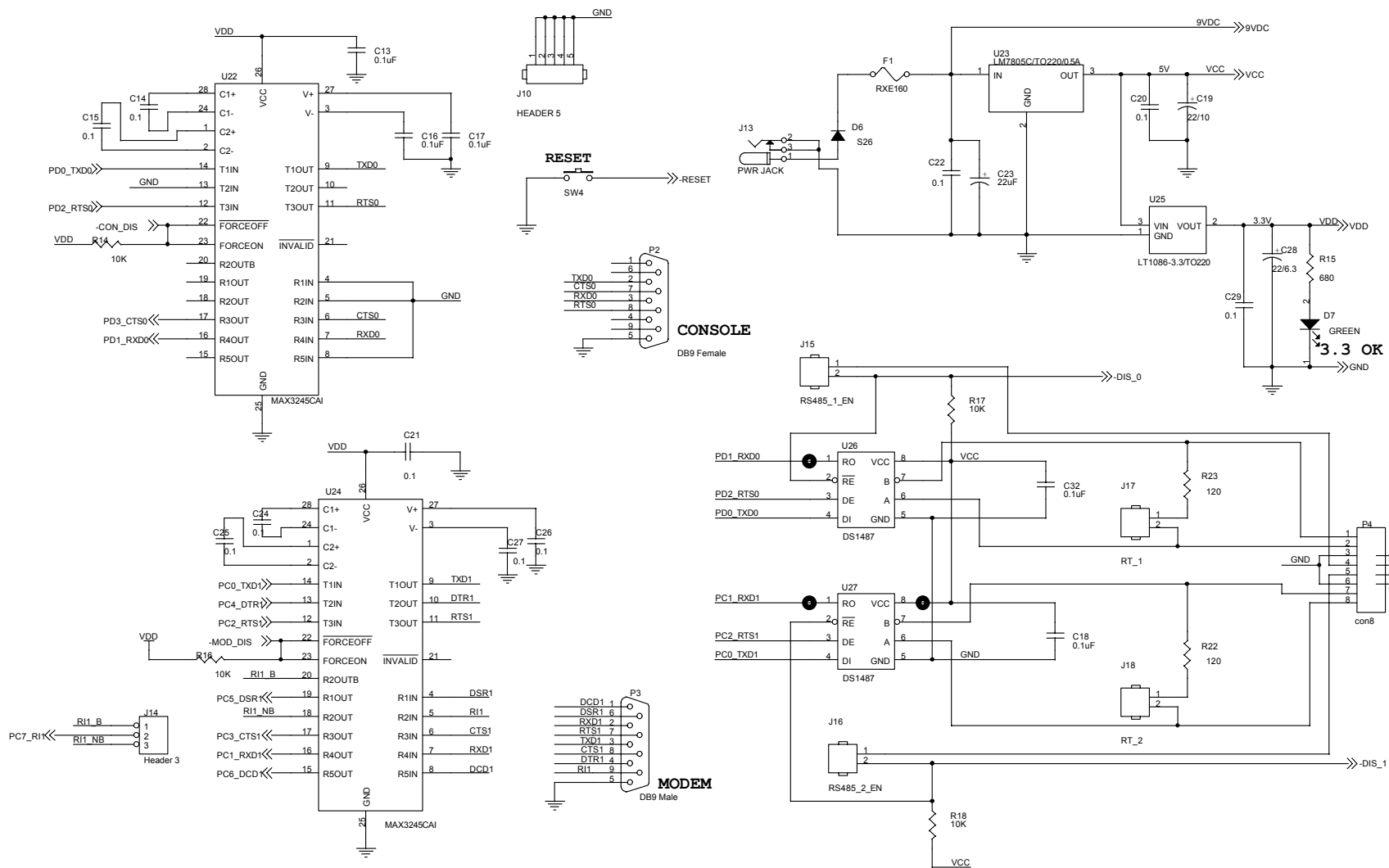


Figure 21. eZ80® Development Platform Schematic Diagram, #4 of 5

MATES WITH AMP = 749268-1

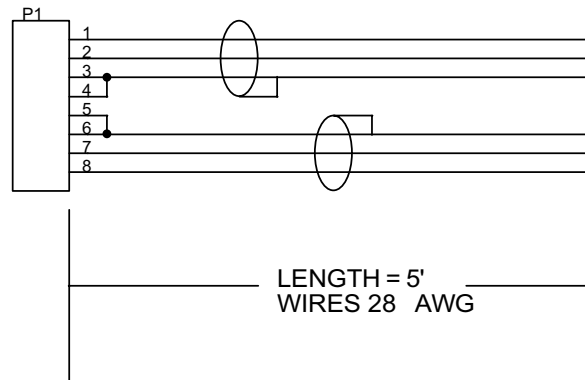


Figure 22. eZ80[®] Development Platform Schematic Diagram, #5 of 5—RS-485 Cable

eZ80F91 Module

Figures 23 through 25 diagram the layout of the eZ80F91 Module. Ethernet circuiting devices are not loaded on the eZ80F91 Module. However, these devices appear in the following schematics for reference purposes.

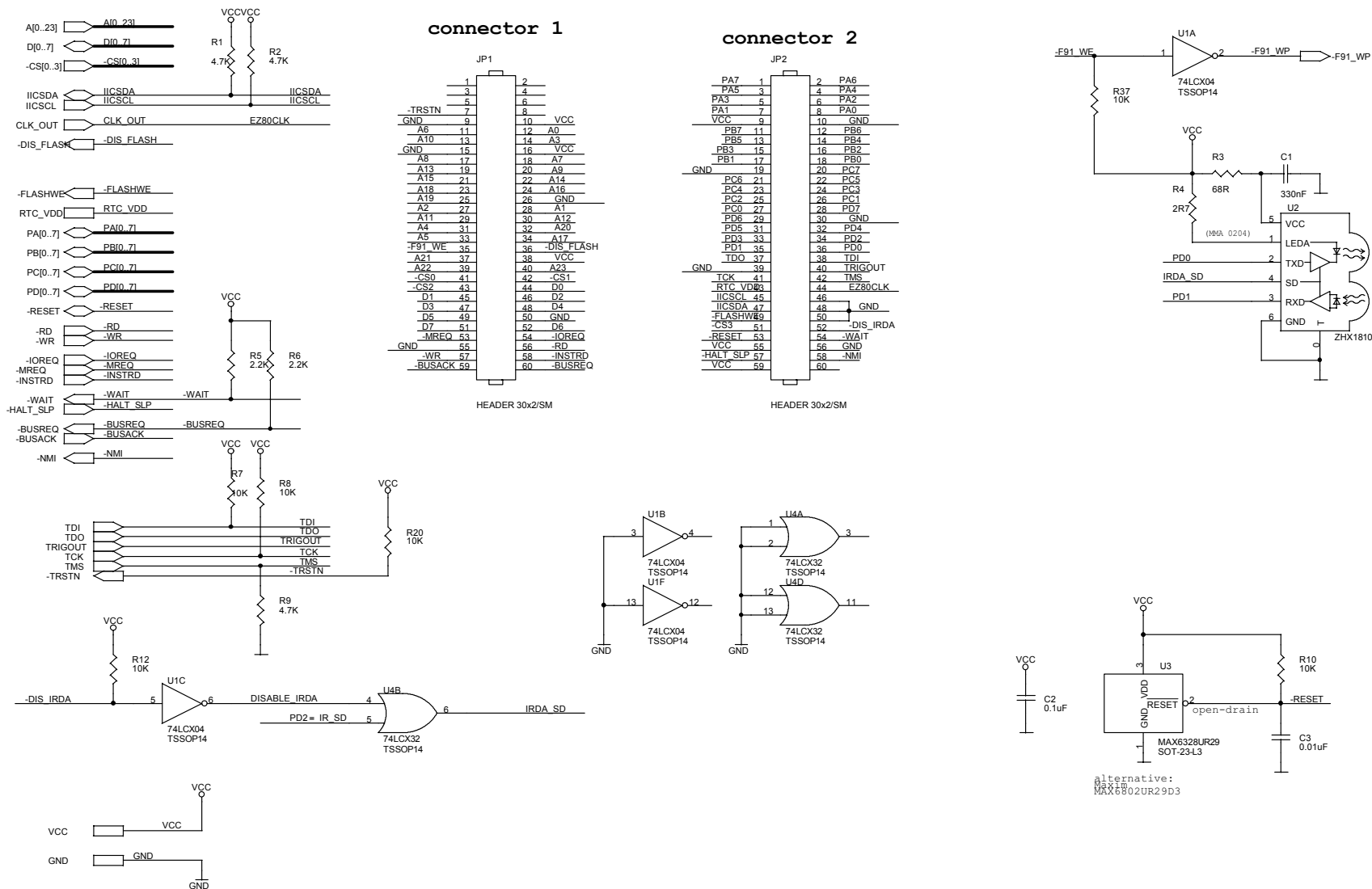


Figure 23. eZ80F91 Module Schematic Diagram, #1 of 3—Connectors and Miscellaneous

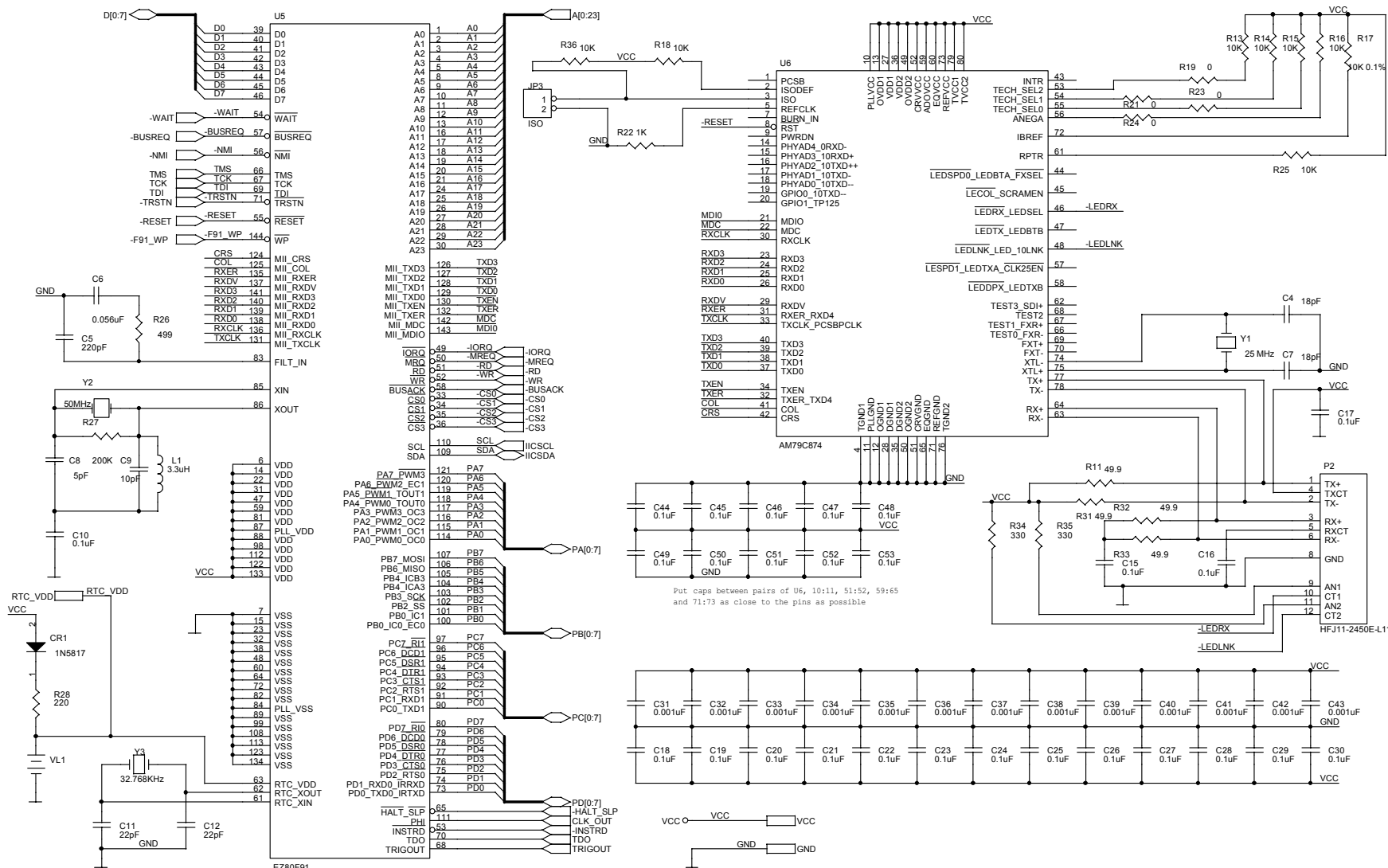


Figure 24. eZ80F91 Module Schematic Diagram, #2 of 3—CPU and PHY

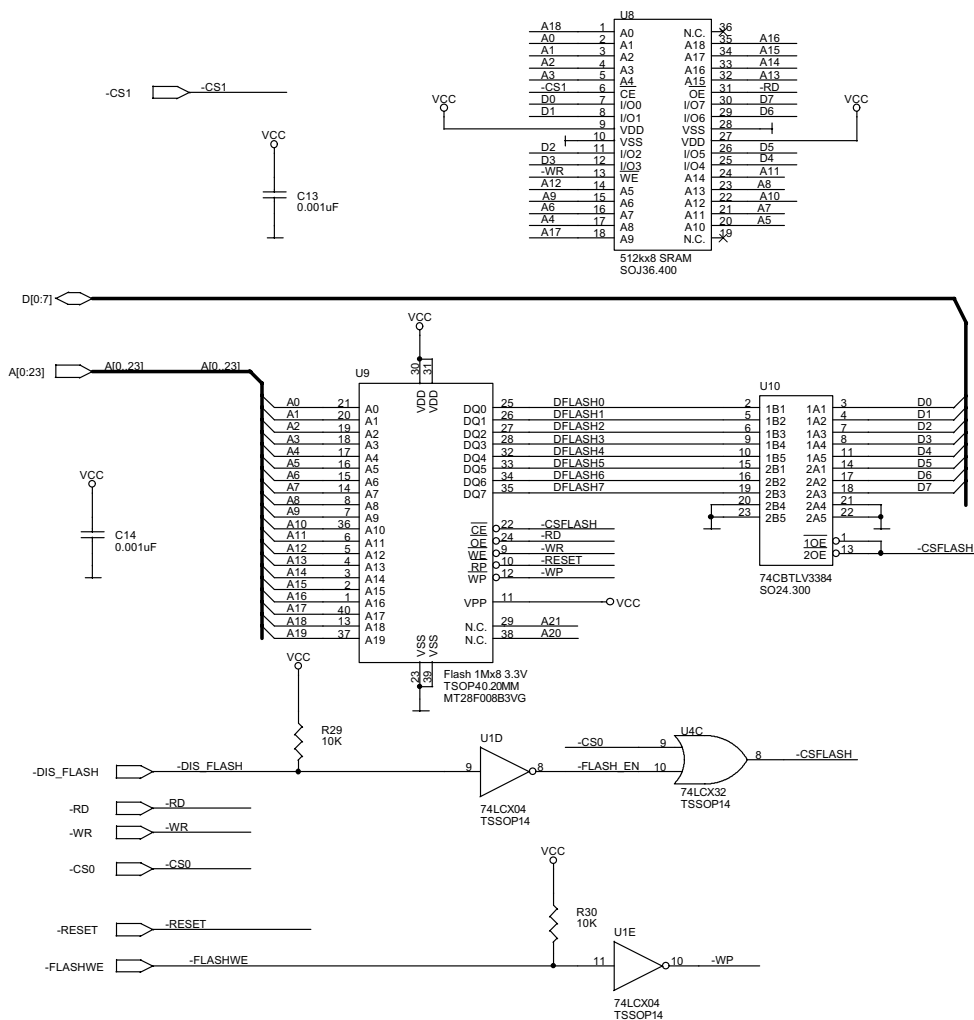


Figure 25. eZ80F91 Module Schematic Diagram, #3 of 3—Module Memory

Appendix A

General Array Logic Equations

This appendix shows the equations for disabling the Ethernet signals provided by the U10 and U15 General Array Logic (GAL) devices.

U10 Address Decoder

```
//`defineidle2'b00
//`definestate12'b01
//`definestate22'b11
//`definestate32'b10
// FOR eZ80 Development Platform Rev B
// This PAL generates 4 memory chip selects

module f92_decod(
    nCS_EX, //Enables Extension Module's Memory when Low
    nFL_DIS, //When Low, Module Flash is disabled (nDIS_FL=0),
             //When High, nDIS_FL depends upon state of
             //nmemenX
    nCS0,
    A7,    //A23
    A6,    //A22
    A5,    //A21
    A4,    //A20
    A3,    //A19
    A2,    //A18
    A1,    //A17
    A0,    //A16
```



```
nCS2,  
nEX_FL_DIS, //disables Flash on the expansion  
//module, when Low  
nEM_EN, //enables Development Platform LED  
//and Port A emulation circuit  
nDIS_FL, //disables Module Flash when Low  
nL_RD, //enables local data bus to be read by CPU  
nmemen1,  
nmemen2,  
nmemen3,  
nmemen4  
);
```

input

```
nFL_DIS /* synthesis loc="P4"*/,  
nCS0 /* synthesis loc="P5"*/,  
nCS2 /* synthesis loc="P3"*/, //was 23  
A7 /* synthesis loc="P6"*/,  
A6 /* synthesis loc="P7"*/,  
A5 /* synthesis loc="P9"*/,  
A4 /* synthesis loc="P10"*/,  
A3 /* synthesis loc="P11"*/,  
A2 /* synthesis loc="P12"*/,  
A1 /* synthesis loc="P13"*/,  
A0 /* synthesis loc="P16"*/,  
nEX_FL_DIS /* synthesis loc="P2"*/;  
//input[7:0]A;upper part of Address Bus of F92  
//A23=A7,A22=A6,A21=A5,A20=A4,A19=A3  
//A18=A2,A17=A1,A16=A0
```

```
output
    nCS_EX/* synthesis loc="P17"*/,//enables memory on the
           //Expansion Module
    nmemen1    /* synthesis loc="P18"*/,//enables memory on
           //the Development Platform
    nmemen2    /* synthesis loc="P19"*/,
    nmemen3    /* synthesis loc="P20"*/,
    nmemen4    /* synthesis loc="P21"*/,
    nEM_EN     /* synthesis loc="P24"*/,//enables LED and
           //Port A emulation
    nDIS_FL    /* synthesis loc="P25"*/,
    nL_RD      /* synthesis loc="P23"*/
    ;

wire nCS_EX,
    nmemen1,
    nmemen2,
    nmemen3,
    nmemen4;

//wire MOD_DIS =
((nmemen1==0) | (nmemen2==0) | (nmemen3==0) | (nmemen4==0));//if any
//of the signals is Low,
//Flash on the Module will be
//disabled if nDIS_FL is High

wire nEXP_EN = ~( (nCS0==0)&(A7==0)&(A6==1) );
//expansion module
//Flash enabled if this is 0
```



```
//wire nDIS_FL = (nFL_DIS) ? ~nEXP_EN : ~(nFL_DIS);

wire nDIS_FL = nFL_DIS & nEXP_EN; //if either of them
//is 0 Flash is
//disabled

assign nCS_EX = (nEX_FL_DIS) ? nEXP_EN : ~(nEX_FL_DIS);
assign nL_RD =
~((nmemen1==0) | (nmemen2==0) | (nmemen3==0) | (nmemen4==0) | (nEM_EN==0) | (
nCS_EX==0));
assign nmemen4 = ~( (nCS2==0)&({A7,A6,A5,A4,A3}==5'h17) );
assign nmemen3 = ~( (nCS2==0)&({A7,A6,A5,A4,A3}==5'h16) );
assign nmemen2 = ~( (nCS2==0)&({A7,A6,A5,A4,A3}==5'h15) );
assign nmemen1 = ~( (nCS2==0)&({A7,A6,A5,A4,A3}==5'h14) );
assign nEM_EN = ~( (nCS2==0)&({A7,A6,A5,A4,A3,A2,A1,A0}==8'h80) );
endmodule
```

U15 Address Decoder

```
`define    anode    8'h00
`define    cathode  8'h01
`define    latch    8'h02
// FOR eZ80 Development Platform Rev B
// This PAL generates signals that control Expansion
// Module access, LED and Port A emulation
// This device is a GAL22LV10-5JC (5ns tpd) or
// equivalent with Package = 28 pin PLCC
//
//
```



```

module F92_em_pal(
    nDIS_EM,
    nEM_EN,
    A0,
    A1,
    A2,
    A3,
    A4,
    A5,
    A6,
    A7,
    nRD,
    nCS,
    nWR,
    nMREQ,
    nIORQ,
    nEM_RD,
    nEM_WR,
    nAN_WR,
    nCT_WR,
    nDIS_ETH
);

input      nDIS_EM /* synthesis loc="P3"*/,
           nEM_EN   /* synthesis loc="P4"*/,
           A0       /* synthesis loc="P5"*/,
           A1       /* synthesis loc="P6"*/,
           A2       /* synthesis loc="P10"*/,
           A3       /* synthesis loc="P11"*/,
           A4       /* synthesis loc="P12"*/,

```



```
A5          /* synthesis loc="P13"*/,  
A6          /* synthesis loc="P27"*/,  
A7          /* synthesis loc="P26"*/,  
nIORQ      /* synthesis loc="P2"*/,  
nRD        /* synthesis loc="P7"*/,  
nCS        /* synthesis loc="P25"*/, //CS3 for CS9800  
nWR        /* synthesis loc="P9"*/,  
nMREQ      /* synthesis loc="P16"*/;
```

output

```
nEM_RD      /* synthesis loc="P17"*/,  
nEM_WR      /* synthesis loc="P18"*/,  
nCT_WR      /* synthesis loc="P19"*/,  
nAN_WR      /* synthesis loc="P20"*/,  
nDIS_ETH    /* synthesis loc="P21"*/;
```

```
parameter anode=8'h00;  
parameter cathode=8'h01;  
parameter latch=8'h02;
```

```
wire [7:0] address={A7,A6,A5,A4,A3,A2,A1,A0};
```

```
assign nEM_WR =  
~((nDIS_EM==1)&(nWR==0)&(nEM_EN==0)&(address==latch));  
assign nEM_RD =  
~((nDIS_EM==1)&(nRD==0)&(nEM_EN==0)&(address==latch));
```

```
assign nAN_WR =  
~((nDIS_EM==1)&(nWR==0)&(nEM_EN==0)&(address==anode));
```



```
assign nCT_WR =  
~((nDIS_EM==1)&(nWR==0)&(nEM_EN==0)&(address==cathode));  
  
assign nDIS_ETH = ~(nCS);  
endmodule
```





Customer Feedback Form

If you note any inaccuracies while reading this User Manual, please copy and complete this form, then mail or fax it to ZiLOG (see *Return Information*, below). We also welcome your suggestions!

eZ80F91 Development Kit

Serial # or Board Fab #/Rev. #

Software Version

Document Number

Host Computer Description/Type

Customer Information

Name	Country
------	---------

Company	Phone
---------	-------

Address	Fax
---------	-----

City/State/Zip	E-Mail
----------------	--------

Return Information

ZiLOG

System Test/Customer Support

532 Race Street

San Jose, CA 95126

Phone: (408) 558-8500

Fax: (408) 558-8536

Email: zservice@zilog.com

Problem Description or Suggestion

Provide a complete description of the problem or your suggestion. If you are reporting a specific problem, include all steps leading up to the occurrence of the problem. Attach additional pages as necessary.
